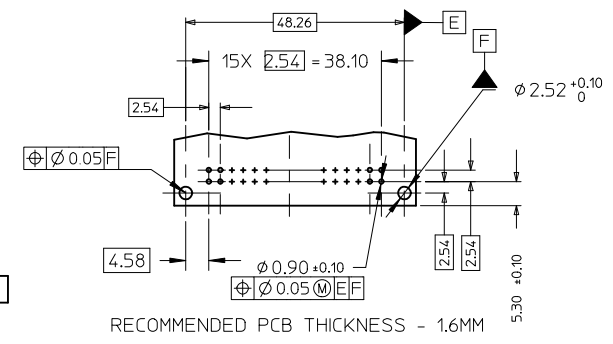
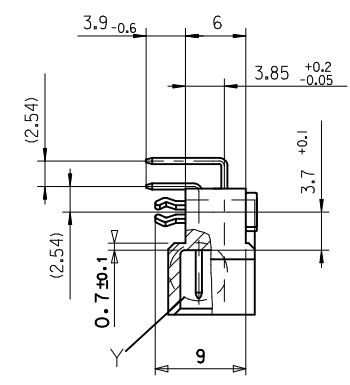


RECOMMENDED PCB LAYOUT COMPONENT SIDE

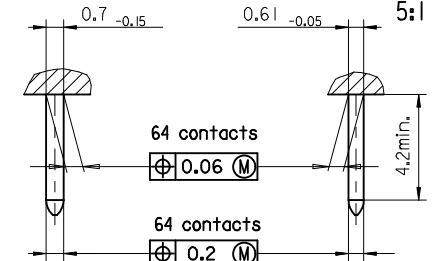


RECOMMENDED PCB THICKNESS - 1.6MM

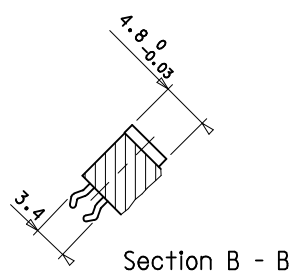
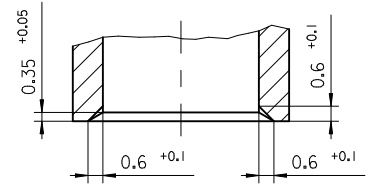


View X  
5:1

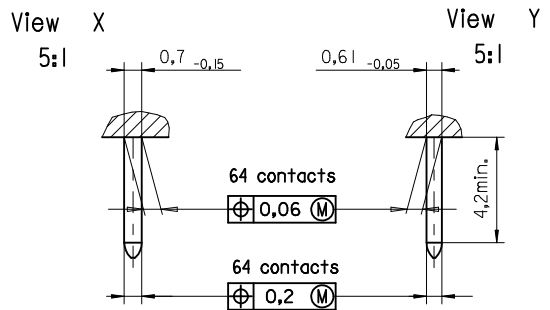
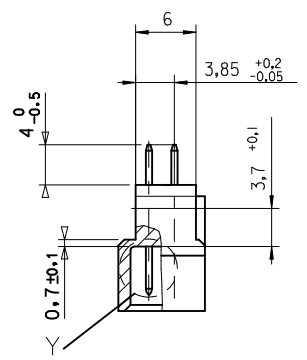
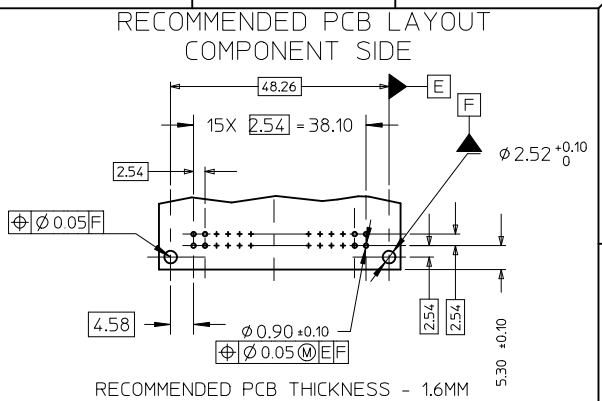
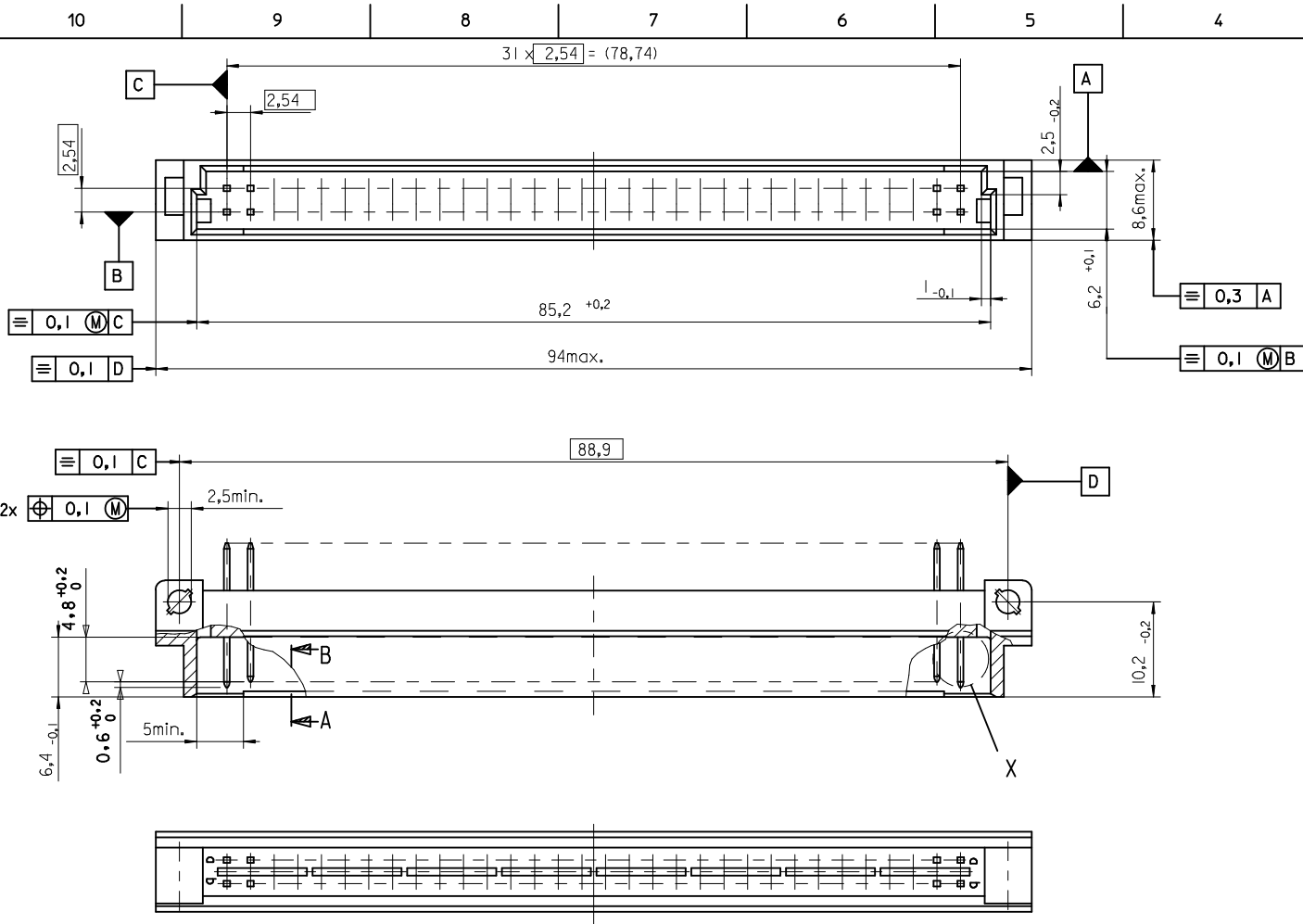
View Y  
5:1



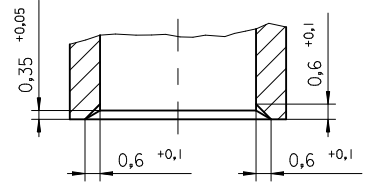
Section A - A  
5:1



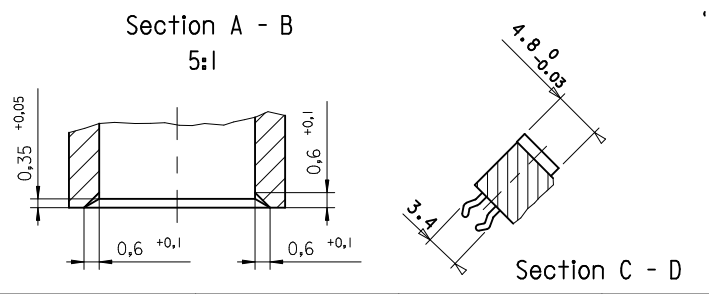
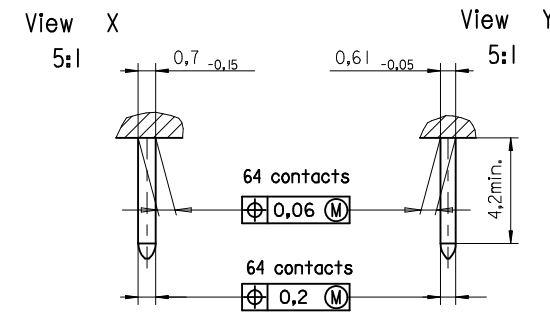
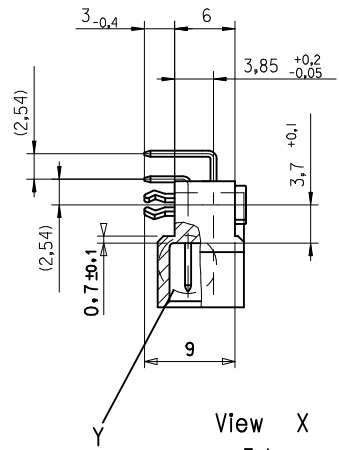
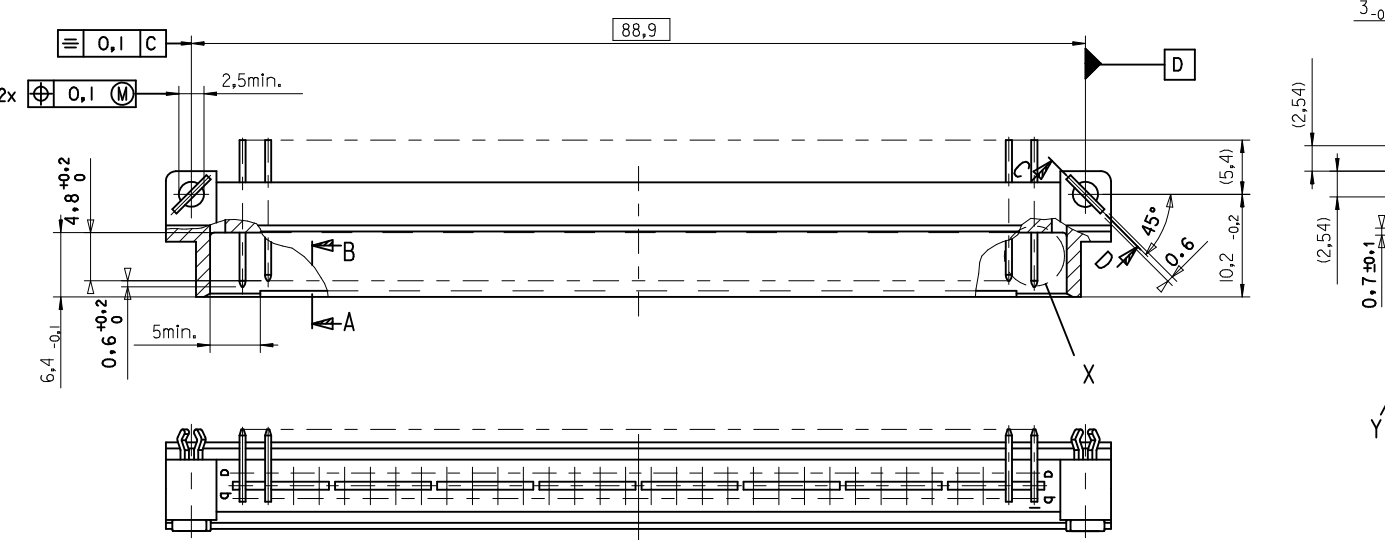
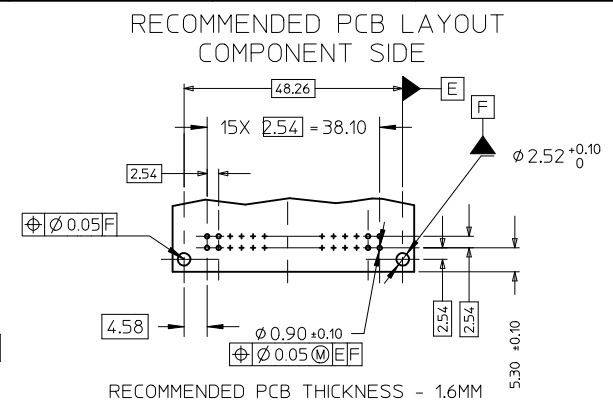
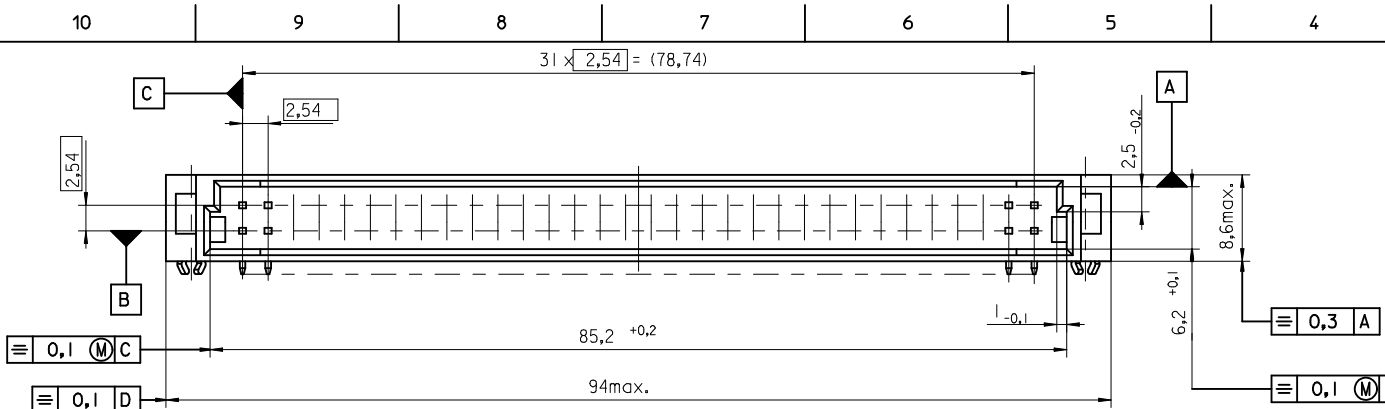
|  |   |  |  |                                   |  |  |                                       |                             |  |
|--|---|--|--|-----------------------------------|--|--|---------------------------------------|-----------------------------|--|
| <b>ENTER DESCRIPTION</b><br>EC NO: 2011/09/23<br>DRW: VUTTARKAR<br>CHK: KPRASAD<br>APPR: | <b>QUALITY SYMBOLS</b><br>$F_A=0$<br>$F_C=0$<br>$F_B=0$ | <b>GENERAL TOLERANCES (UNLESS SPECIFIED)</b> |  | <b>DIMENSION STYLE</b><br>MM ONLY | <b>SCALE</b><br>1:1  | <b>DESIGN UNITS</b><br>METRIC  | FIRST ANGLE PROJECTION                |                             |  |
|  |   | mm   | INCH   | DRAWN BY<br>VUTTARKAR             | DATE<br>2011/09/23   | <b>TITLE</b><br>64 POS. MALE CONNECTOR<br>ACC. DIN 41612 STYLE B<br>DIMENSIONS |                                       |                             |  |
|  |   | 4 PLACES                                     | ± ---  | ± ---                             | CHECKED BY<br>KPRASAD  | DATE   | <b>MOLEX INCORPORATED</b>             |                             |  |
|  |   | 3 PLACES                                     | ± ---  | ± ---                             | APPROVED BY  | DATE   | <b>DOCUMENT NO.</b><br>SDA-85001-0001 | <b>SHEET NO.</b><br>1 OF 03 |  |
| 2 PLACES   | ± ---   | ± ---  | ANGULAR ± ---°   |                                   | <b>MATERIAL NO.</b><br>850010036   |  |                                       |                             |  |
| 1 PLACE  | ± ---   | ± ---  | DRAFT WHERE APPLICABLE<br>MUST REMAIN<br>WITHIN DIMENSIONS |                                   | THIS DRAWING CONTAINS INFORMATION THAT IS PROPRIETARY TO MOLEX<br>INCORPORATED AND SHOULD NOT BE USED WITHOUT WRITTEN PERMISSION |  |                                       |                             |  |



Section A - B  
5:1



|   |                 |                                       |                |                            |  |                    |  |                        |                      |
|---|-----------------|---------------------------------------|----------------|----------------------------|--|--------------------|--|------------------------|----------------------|
| ENTER DESCRIPTION<br>EC NO:<br>DRWN:VUTTARKAR 2011/09/23<br>CHKD:KPRASAD<br>APPR: | QUALITY SYMBOLS | GENERAL TOLERANCES (UNLESS SPECIFIED) |                | DIMENSION STYLE<br>MM ONLY |  | SCALE<br>1:1       | DESIGN UNITS<br>METRIC   | FIRST ANGLE PROJECTION |                      |
|   | ▽ F=0           | 4 PLACES                              | mm             | INCH                       | DRAWN BY<br>VUTTARKAR                                      | DATE<br>2011/09/23 | TITLE<br>64 POS. MALE CONNECTOR<br>ACC. DIN 41612 STYLE B<br>DIMENSIONS  |                        |                      |
|   | ▽ F=0           | 3 PLACES                              | ± ---          | ± ---                      | CHECKED BY<br>KPRASAD                                      | DATE               | MOLEX MOLEX INCORPORATED   |                        |                      |
|   | ▽ F=0           | 2 PLACES                              | ± ---          | ± ---                      | APPROVED BY  | DATE               | MATERIAL NO.<br>850010036  |                        |                      |
|   |                 | 1 PLACE                               | ± ---          | ± ---                      | DRAFT WHERE APPLICABLE<br>MUST REMAIN<br>WITHIN DIMENSIONS |                    | DOCUMENT NO.<br>SDA-85001-0001   |                        | SHEET NO.<br>2 OF 03 |
|   |                 |                                       | ANGULAR ± ---° |                            | SIZE<br>A3   |                    | THIS DRAWING CONTAINS INFORMATION THAT IS PROPRIETARY TO MOLEX<br>INCORPORATED AND SHOULD NOT BE USED WITHOUT WRITTEN PERMISSION |                        |                      |



|  |   |  |   |  |   |
|--|---|--|---|--|---|
| <b>ENTER DESCRIPTION</b><br>EC NO: 2011/09/23<br>DRWN: VUTTARKAR<br>CHYK: KPRASAD<br>APPR: | QUALITY SYMBOLS<br>$F_A = 0$<br>$F_B = 0$<br>$F_C = 0$                              | GENERAL TOLERANCES (UNLESS SPECIFIED)<br>mm INCH<br>4 PLACES ± --- ± ---<br>3 PLACES ± --- ± ---<br>2 PLACES ± --- ± ---<br>1 PLACE ± --- ± ---<br>ANGULAR ± --- ° | DIMENSION STYLE<br><b>MM ONLY</b><br>DRAWN BY: VUTTARKAR<br>DATE: 2011/09/23<br>CHECKED BY: KPRASAD<br>DATE:<br>APPROVED BY:<br>DATE: | SCALE<br><b>1:1</b><br>DESIGN UNITS<br><b>METRIC</b><br>FIRST ANGLE PROJECTION | TITLE<br><b>64 POS. MALE CONNECTOR<br/>         ACC. DIN 41612 STYLE B<br/>         DIMENSIONS</b><br><b>MOLEX INCORPORATED</b> |
|  | DRAFT WHERE APPLICABLE<br>MUST REMAIN<br>WITHIN DIMENSIONS                          | MATERIAL NO.<br><b>850010036</b>   | DOCUMENT NO.<br><b>SDA-85001-0001</b>   | SHEET NO.<br><b>03 OF 03</b>   |   |
|  | SIZE<br><b>A3</b>   | THIS DRAWING CONTAINS INFORMATION THAT IS PROPRIETARY TO MOLEX INCORPORATED AND SHOULD NOT BE USED WITHOUT WRITTEN PERMISSION                                      |   |  |   |
|  | ENTER DESCRIPTION<br>EC NO: 2011/09/23<br>DRWN: VUTTARKAR<br>CHYK: KPRASAD<br>APPR: |  |   |  |   |

VIEW ON MATING SIDE

|   |   |   |   |   |   |   |   |   |   |   |   |   |   |   |   |   |   |   |   |   |   |
|---|---|---|---|---|---|---|---|---|---|---|---|---|---|---|---|---|---|---|---|---|---|
| ∞ | B | B | B | B | B | B | B | B | B | B | B | B | B | B | B | B | B | B | B | B | B |
| ◄ | A | A | A | A | A | A | A | A | A | A | A | A | A | A | A | A | A | A | A | A | A |

A = 32 STANDARD CONTACTS L=3

B = 32 STANDARD CONTACTS L=3

S = 64 TOTAL NUMBER OF CONTACTS

|                   |  |
|-------------------|--|
| Marking           | Standard                                     |
| Performance level | G2/0 = Contact area level2 / Termination tin |
| Flux proof        | no   |
| Fixing clip       | no   |
| Dimensions        | SDA-85001-0001 sht.1                         |
| Technical Data    | PS-85003-0001                                |

|                |                |                         |
|----------------|----------------|-------------------------|
|                |                |                         |
| B              | G2/0           | b1-32                   |
| A              | G2/0           | a1-32                   |
| Contact symbol | Perform. level | Contact position number |

|   |                  |             |           |                                     |
|---|------------------|-------------|-----------|-------------------------------------|
| C | see ECN No. 2204 | 96/07/18 Cd | REVISIONS | FOR PREVIOUS REVISIONS SEE MRI LIST |
|   | LTR              |             |           |                                     |

|  |   |                             |                              |                       |      |
|--|---|-----------------------------|------------------------------|-----------------------|------|
| UNLESS OTHERWISE SPECIFIED TOLERANCES: ANGULAR ±2°                                 |   | DRWG BY<br><b>Cd</b>        | SIGN                         |                       |      |
| 3 PLACE ± .  | ± |                             |                              | CHK'D BY<br><b>KN</b> | SIGN |
| 2 PLACE ± .  | ± |                             |                              | APP'D BY              | SIGN |
| 1 PLACE ± .  | ± | SCALE                       |                              |                       |      |
| DRAFT WHERE APPLICABLE MUST REMAIN WITHIN DIMENSIONS                               |   | DESIGN DIMENSION            |                              |                       |      |
|  |   | <input type="checkbox"/> MM | <input type="checkbox"/> IN. |                       |      |
|  |   | EQUIVALENT DIMENSION        |                              |                       |      |
|  |   | <input type="checkbox"/> MM | <input type="checkbox"/> IN. |                       |      |
| IF TWO DIMENSIONS ARE SHOWN, THE UPPER IS THE DESIGN DIMENSION, LOWER IS SECONDARY |   |                             |                              |                       |      |

|   |                  |             |   |  |                                     |
|---|------------------|-------------|---|--|-------------------------------------|
| C   | see ECN No. 2204 | 96/07/18 Cd | REVISIONS   |  | FOR PREVIOUS REVISIONS SEE MRI LIST |
|   |                  |             | LTR   |  |                                     |
| CAD/CAM PROJECT NAME<br>S8500100<br>S31   |                  |             | REVISE ONLY ON CAD SYSTEM   |  | SH. REV.                            |
| TITLE<br>64 pos. Male connector<br>acc. DIN 41612 style B<br>contacts arrangement |                  |             | THIS DRAWING CONTAINS INFORMATION THAT IS PROPRIETARY TO MOLEX INC. & SHOULD NOT BE USED WITHOUT WRITTEN PERMISSION |  |                                     |
| MOLEX®  |                  |             | MOLEX EUROPE  |  | SHEET NO. DATE<br>1 OF 1 95/05/22   |
| PART NO.  |                  |             | 85001-0036  |  | DWG NO. SDA-85001-0036              |
|   |                  |             |   |  | SIZE<br>A                           |