

THE INFORMATION CONTAINED HEREIN IS CONSIDERED "PROPRIETARY" TO BEL FUSE INC. AND SHALL NOT BE COPIED, REPRODUCED OR DISCLOSED WITHOUT THE WRITTEN APPROVAL OF BEL FUSE INC.

RoHS



ELECTRICAL CHARACTERISTICS @ 25°C

URNS RATIO

TX 1CT : 1

RX 1CT : 1

□CL @ 100kHz/100mVRMS

8mA DC BIAS 350μH MIN.

INS. LOSS

1MHz TO 100MHz -1.0 dB MAX

RET. LOSS (MIN)

1MHz-30MHz -18 dB

30MHz-60MHz -18+20LOG(F/30MHz) dB

60MHz-80MHz -12 dB

CROSS TALK (TX - RX)

500kHz-1MHz -70 dB MIN

10 MHz -50 dB MIN

30 MHz -45 dB MIN

50 MHz -40 dB MIN

100 MHz -35 dB MIN

CM TO CM REJ

100kHz-1MHz -70 dB MIN

10 MHz -47 dB MIN

30 MHz -42 dB MIN

60 MHz -37 dB MIN

100 MHz -30 dB MIN

CM TO DM REJ

100kHz-1MHz -70 dB MIN

10 MHz -60 dB MIN

30 MHz -50 dB MIN

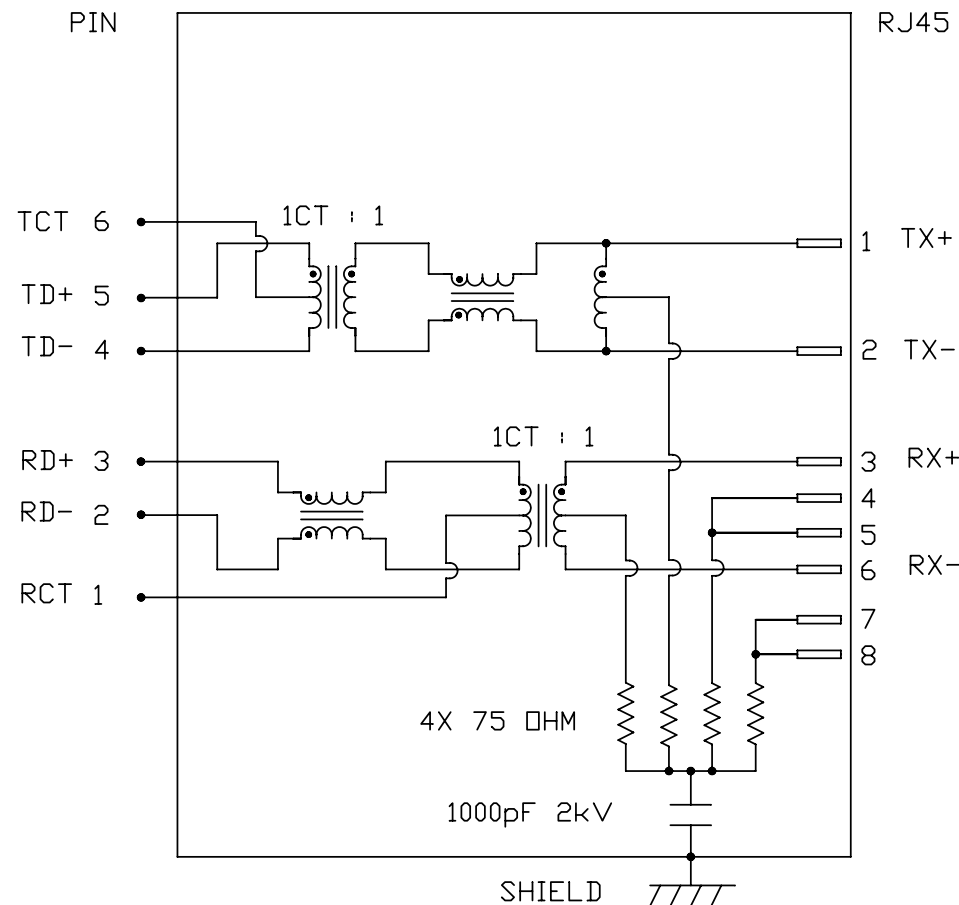
60 MHz -45 dB MIN

100 MHz -40 dB MIN

HIPOT (Isolation Voltage): 1500 Vrms or 2250VDC

100% OF PRODUCTION TESTED TO COMPLY WITH IEEE 802.3 ISOLATION REQUIREMENTS.

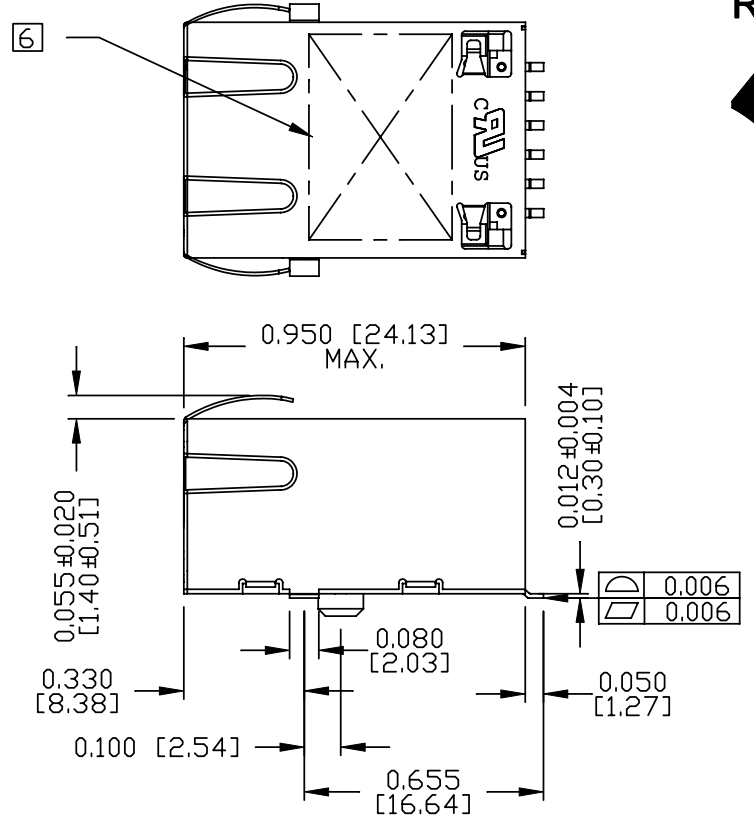
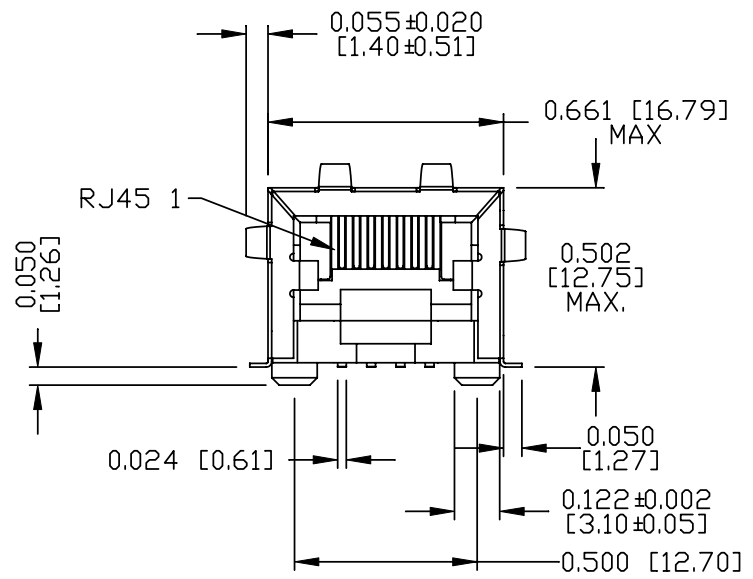
SCHEMATIC



ORIGINATED BY CHOW WANCHUNG	DATE 2012-07-27	TITLE SMD MagJack © (CM Termination)	PART NO. / DRAWING NO. S8111X1T03-F	STANDARD DIM. TOL. IN INCH	[] METRIC DIM. AS REFERENCE	 COMPONENTS FOR A CONNECTED PLANET	
DRAWN BY TAN QIGUANG	DATE 2012-07-27	S811-1X1T-03-F PATENTED	FILE NAME S8111X1T03-F_C.DWG	.X	UNIT : INCH [mm]		REV. : C
				.XX	SCALE : N/A		SIZE : A4
				.XXX	⊕		PAGE : 2

THE INFORMATION CONTAINED HEREIN IS CONSIDERED "PROPRIETARY" TO BEL FUSE INC. AND SHALL NOT BE COPIED, REPRODUCED OR DISCLOSED WITHOUT THE WRITTEN APPROVAL OF BEL FUSE INC.

RoHS



NOTES:

1. PLASTIC HOUSING: THERMOPLASTIC PA & THERMOSET PHENDLIC. FLAMMABILITY RATING UL 94V-0
2. CONTACTS PLATING: 50 MICRO-INCH HARD GOLD PLATING OR EQUIVALENT.
3. PINS: TIN-COATED COPPER WIRE, 0.024 [0.6] X 0.012 [0.3] THK,
4. METAL SHIELD: NICKEL PLATED COPPER ALLOY.
5. JACK CAVITY CONFORMS TO FCC RULES AND REGULATIONS.

6. MARK PART WITH MFG LOGO, MFG NAME, PART NUMBER, DATE CODE AND PATENTED.

7. THE PRODUCT IS RoHS COMPLIANT.
8. THE PRODUCT IS PATENT PRODUCT. THE PATENT NUMBER IS U.S. PAT. 5,736,910.

CS USUL RECOGNIZED - FILE #E196366 AND E169987.

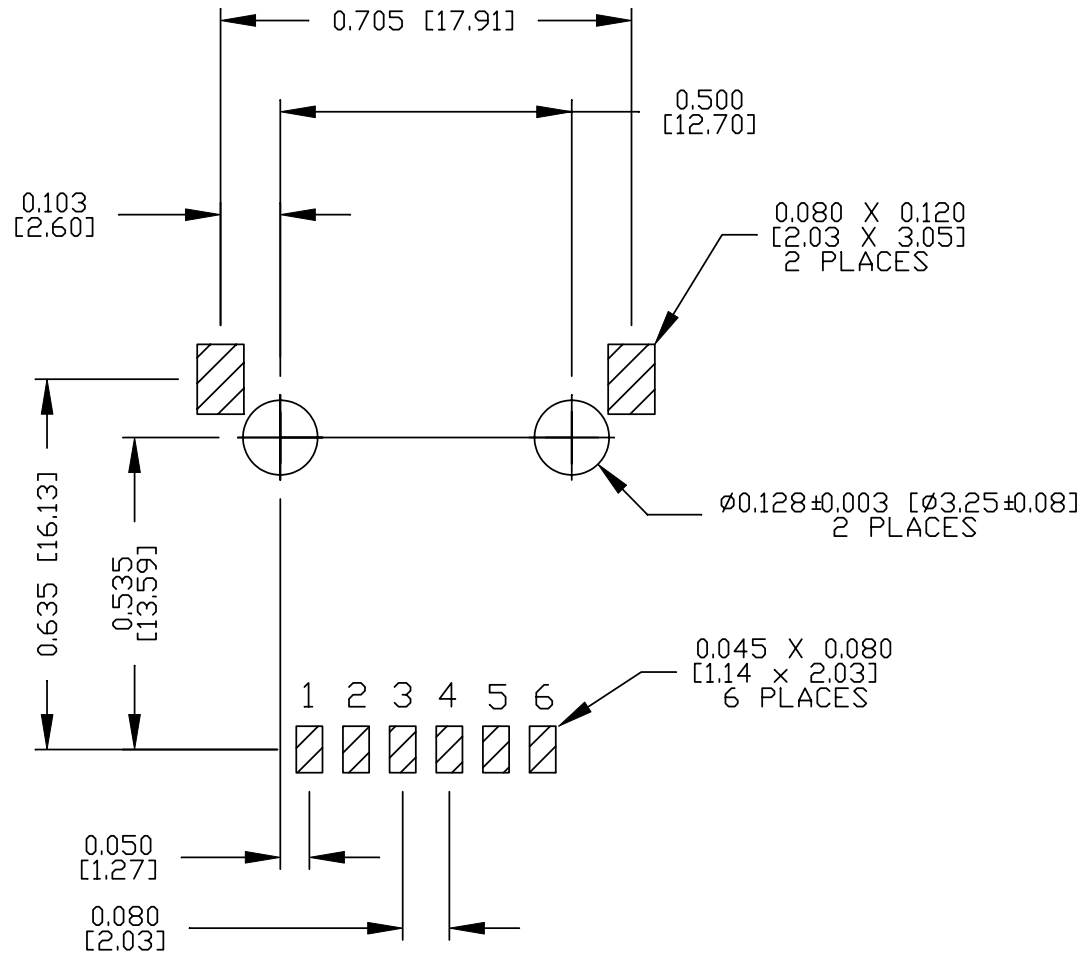
ORIGINATED BY ANTON LIAO	DATE 2012-07-27	TITLE SMD MagJack ® (CM Termination)	PART NO. / DRAWING NO. S8111X1T03-F	STANDARD DIM. TOL. IN INCH		[] METRIC DIM. AS REFERENCE		bel
				.X		UNIT : INCH [mm]	REV. : C	
DRAWN BY HE ZHEN	DATE 2012-07-27	S811-1X1T-03-F PATENTED	FILE NAME S8111X1T03-F_C.DWG	.XX	±0.010	SCALE : N/A	SIZE : A4	COMPONENTS FOR A CONNECTED PLANET
				.XXX			PAGE : 3	

THE INFORMATION CONTAINED HEREIN IS CONSIDERED "PROPRIETARY" TO BEL FUSE INC. AND SHALL NOT BE COPIED, REPRODUCED OR DISCLOSED WITHOUT THE WRITTEN APPROVAL OF BEL FUSE INC.

RoHS



RECOMMENDED PCB FOOTPRINT
COMPONENT SIDE VIEW



ORIGINATED BY	DATE
ANTON LIAO	2012-07-27
DRAWN BY	DATE
HE ZHEN	2012-07-27

TITLE	SMD MagJack ® (CM Termination) S811-1X1T-03-F PATENTED
-------	---

PART NO. / DRAWING NO.	S8111X1T03-F
FILE NAME	S8111X1T03-F_C.DWG

STANDARD DIM.	[] METRIC DIM. AS REFERENCE
TOL. IN INCH	UNIT : INCH [mm]
.X	SCALE : N/A
.XX	SIZE : A4
.XXX	±0.004

REV. : C	SIZE : A4
PAGE : 4	

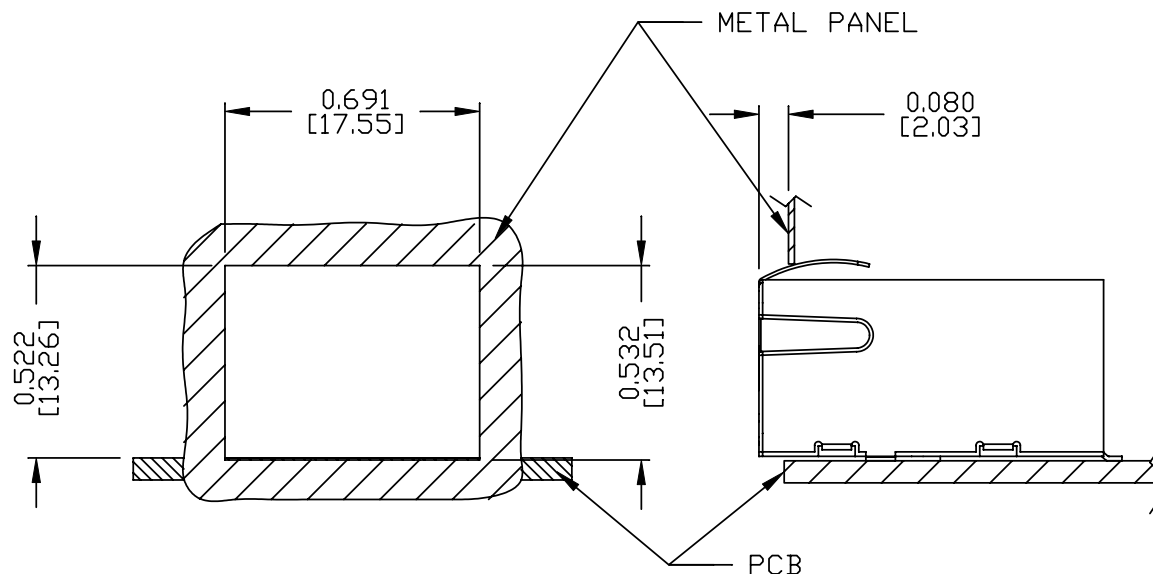


THE INFORMATION CONTAINED HEREIN IS CONSIDERED "PROPRIETARY" TO BEL FUSE INC. AND SHALL NOT BE COPIED, REPRODUCED OR DISCLOSED WITHOUT THE WRITTEN APPROVAL OF BEL FUSE INC.

RoHS



SUGGESTED PANEL OPENING



NOTES:

THE DISTANCE OF PANEL INSIDE SURFACE RELATIVE TO FRONT SURFACE OF PART IS ONLY A SUGGESTION. IN CASE THIS DISTANCE IS DIFFERENT, THE REQUIRED PANEL OPENING DIMENSIONS CHANGE ACCORDINGLY.

ORIGINATED BY ANTON LIAO	DATE 2012-07-27	TITLE SMD MagJack ® (CM Termination) S811-1X1T-03-F PATENTED	PART NO. / DRAWING NO. S811X1T03-F	STANDARD DIM. TOL. IN INCH	[] METRIC DIM. AS REFERENCE	
DRAWN BY HE ZHEN	DATE 2012-07-27		FILE NAME S811X1T03-F_C.DWG	.X .XX .XXX	UNIT : INCH [mm] SCALE : N/A ⊕	REV. : C SIZE : A4 PAGE : 5

