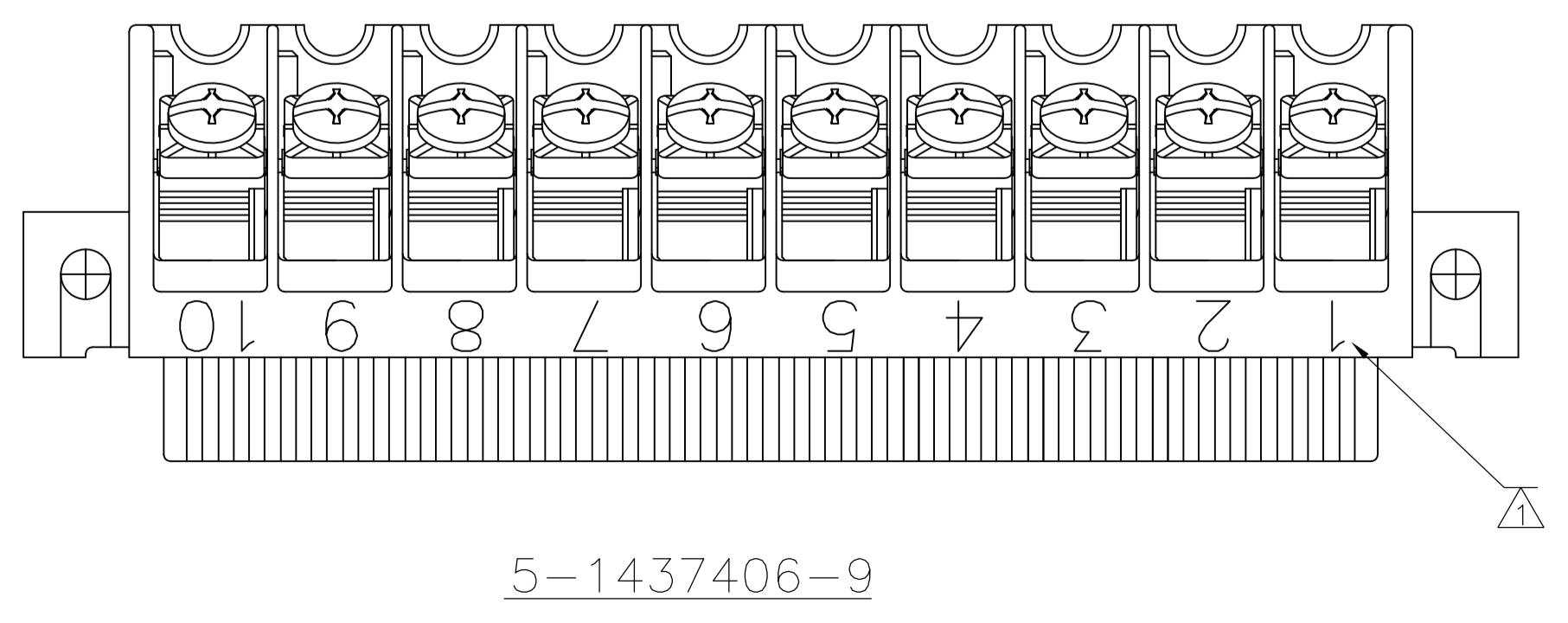
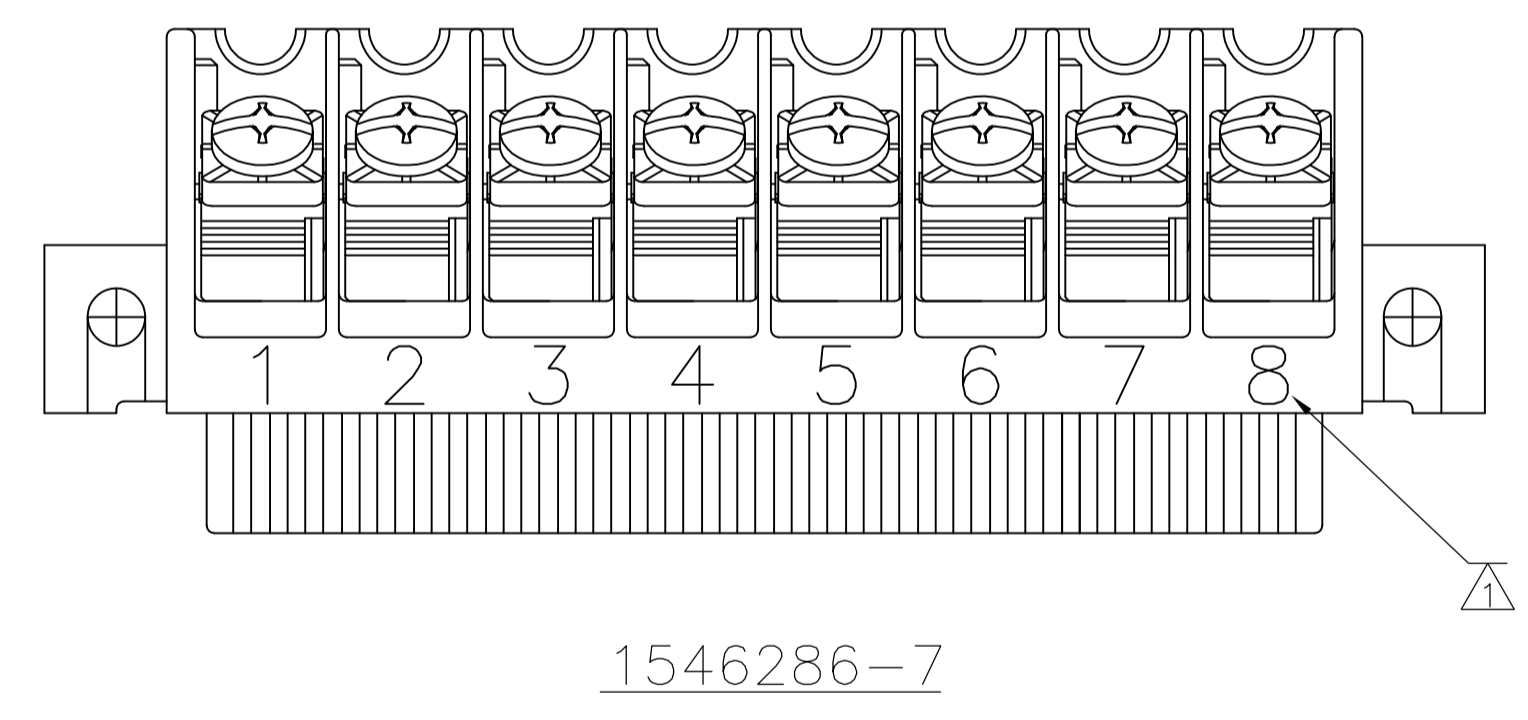
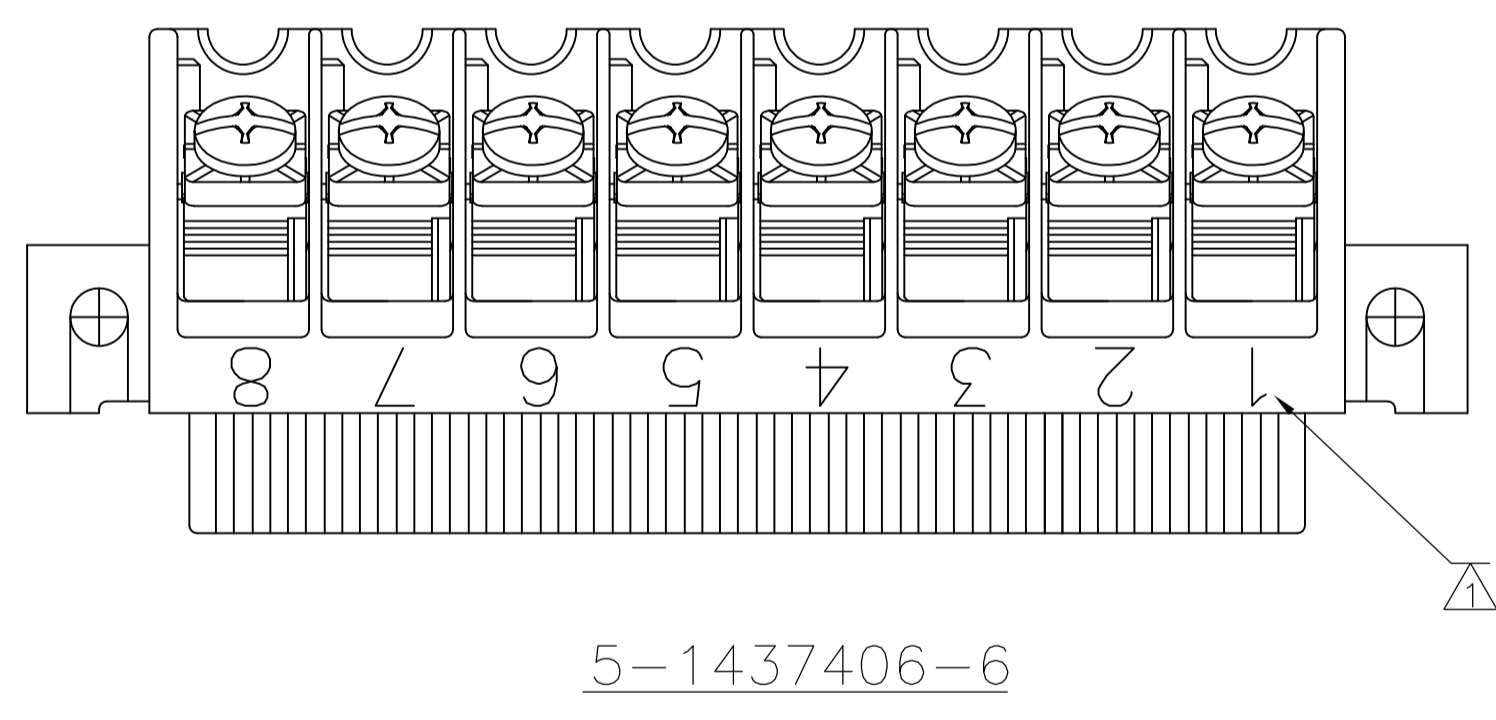
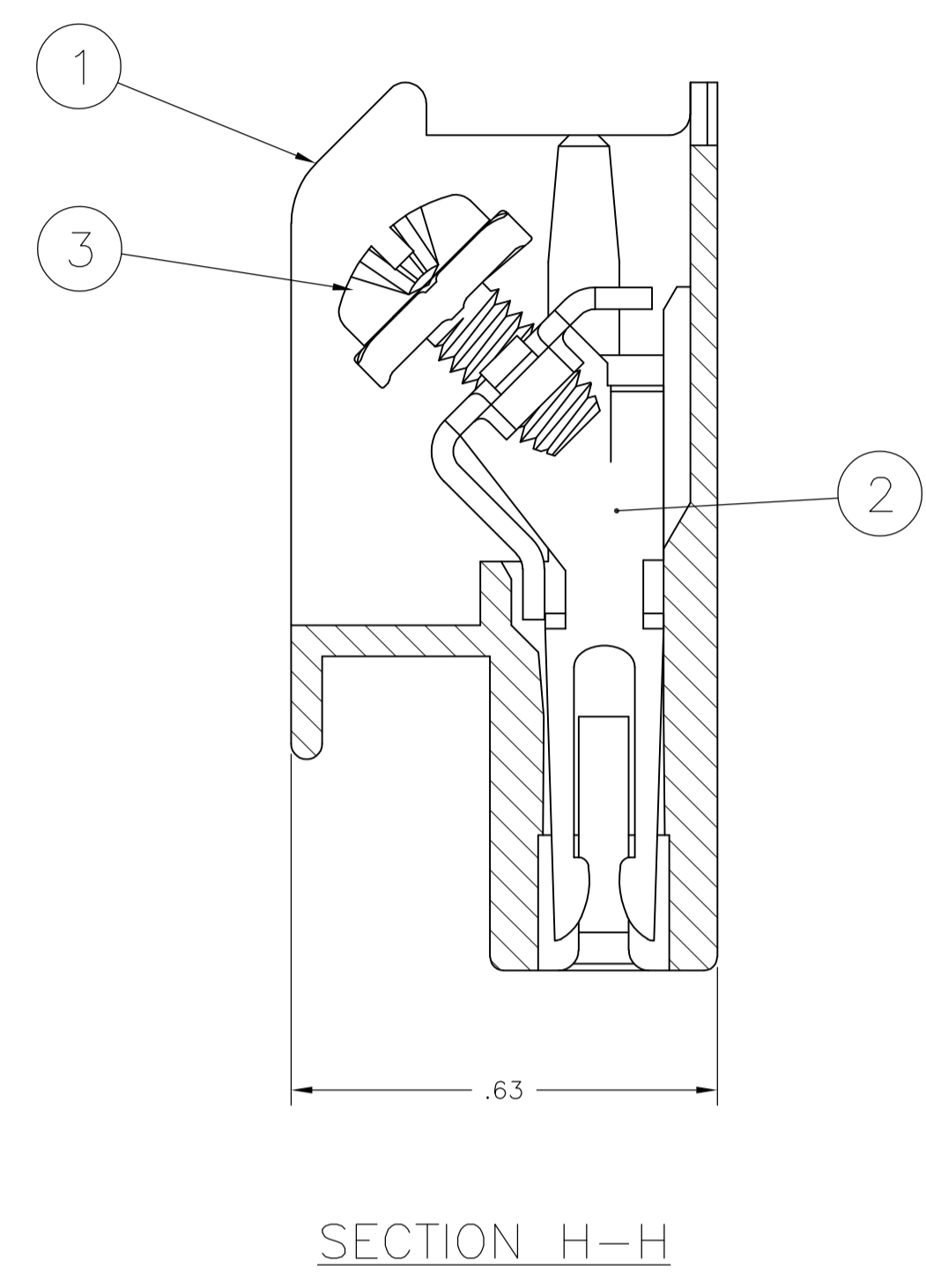
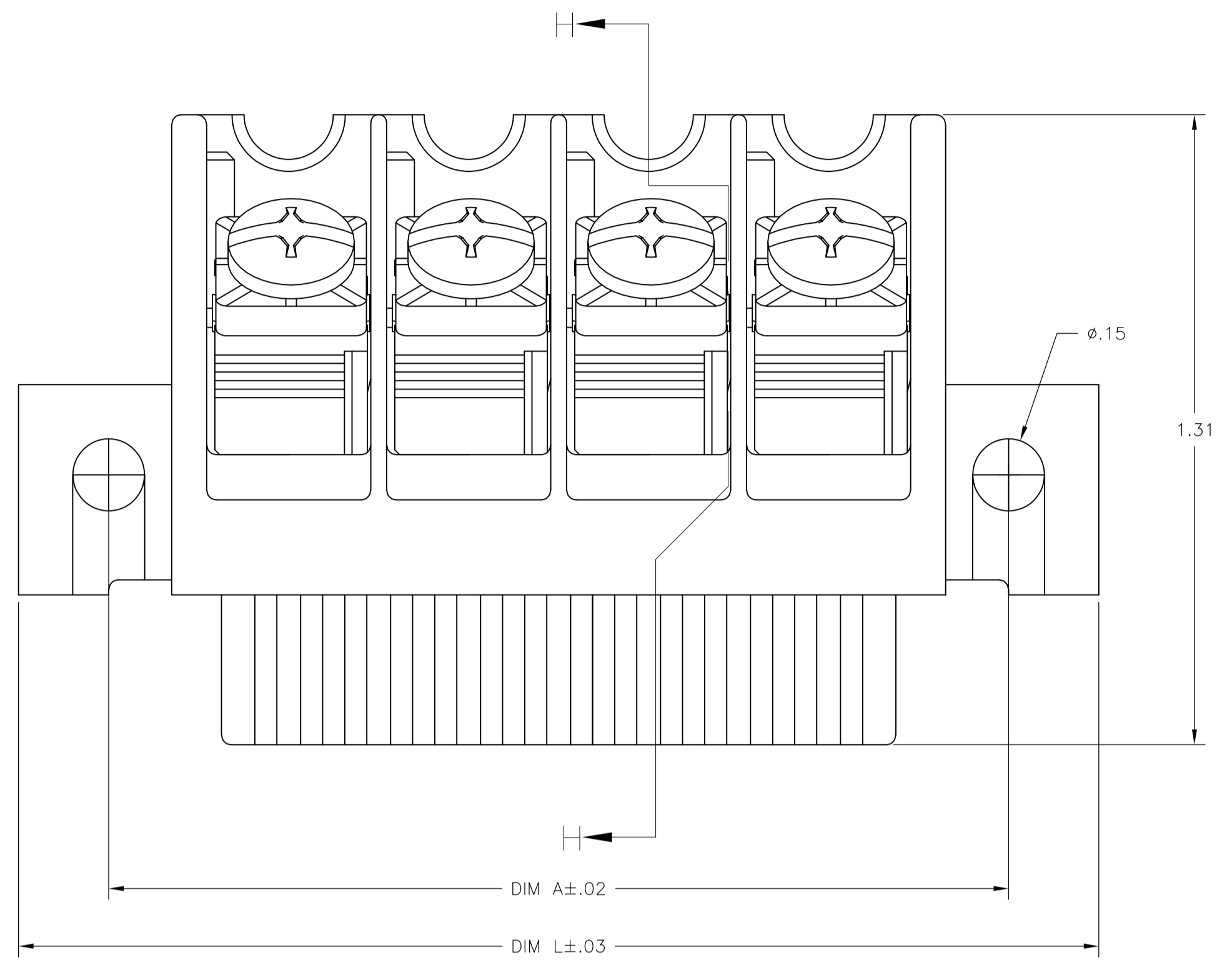


LOC		DIST		REVISIONS			
F	LTR	DESCRIPTION	DATE	DNW	APVD		
B2		REVISED PER ECO-08-001729	1/22/08	SS	SRY		

WHITE LETTERING APPROX .14 HIGH.



OBSOLETE		10.501	PSB4KC26A	7-1437406-3
		9.751	PSB4KD24A	1546286-5
		9.751	PSB4KC24S	7-1437406-2
		9.751	PSB4KC24A	7-1437406-1
		9.001	PSB4KC22S	1546286-4
		9.001	PSB4KC22A	7-1437406-0
		8.251	PSB4KC20S	6-1437406-9
		8.251	PSB4KC20A	6-1437406-8
		7.501	PSB4KC18S	6-1437406-7
		7.501	PSB4KC18A	6-1437406-6
		6.751	PSB4KD16A	1546286-6
		6.751	PSB4KC16S	6-1437406-5
		6.751	PSB4KC16A	6-1437406-4
		6.001	PSB4KC14S	6-1437406-3
		6.001	PSB4KC14A	6-1437406-2
		5.251	PSB4KC12S	6-1437406-1
		5.251	PSB4KC12A	6-1437406-0
		4.501	PSB4KD10A	7-1437406-4
SPL MARKING		4.501	PSB4KC10SNN25	5-1437406-9
		4.501	PSB4KC10S	5-1437406-8
		4.501	PSB4KC10A	1546286-1
SPL MARKING		3.751	PSB4KC08SNN21	1546286-7
		3.751	PSB4KC08S	5-1437406-7
SPL MARKING		3.751	PSB4KC08ANN25	5-1437406-6
		3.751	PSB4KC08A	5-1437406-5
		3.001	PSB4KC06S	5-1437406-4
		3.001	PSB4KC06A	5-1437406-3

NOTES	DIM L	CATALOG NO.	PART NO.
-------	-------	-------------	----------

THIS DRAWING IS A CONTROLLED DOCUMENT.

DIMENSIONS: INCHES	TOLERANCES UNLESS OTHERWISE SPECIFIED:	DIN S SCHLEGEL 10/28/05	10/28/05	10/28/05	10/28/05
0 PLC ± -	1 PLC ± -	2 PLC ± .01	3 PLC ± .005	4 PLC ± -	ANGLES ± 1°
MATERIAL	FINISH	APVD S YODER 10/28/05	NAME S YODER	DATE 10/28/05	REV
		WEIGHT			
CUSTOMER DRAWING		A1 00779		C=5-1437406-6	

Tyco Electronics Corporation  
 Harrisburg, PA 17105-3608  
**OBSOLETE NOT THE LATEST REVISION**