

General Description

The AOZ8010 is an 8-line device integrating EMI filtering with ESD protection for each line. It is designed to suppress unwanted EMI/RFI signals and provide electrostatic discharge (ESD) protection in portable electronic equipment. This state-of-the-art device utilizes AOS leading edge Trench Vertical Structure [TVS]²™ technology for superior clamping performance and filter attenuation over the full operating display range. The AOZ8010 has been optimized for protection of color LCD displays and CCD camera lines in cellular phones and other portable consumer electronic devices.

The AOZ8010 consists of eight identical circuits comprised of TVS diodes for ESD protection, and a resistor-capacitor network for EMI/RFI filtering. A series resistor value of 100Ω and a capacitance value of 28pF are used to achieve -35dB minimum attenuation from 800MHz to 2.2GHz. The TVS diodes provide effective suppression of ESD voltages in excess of ±18kV (air discharge) and ±18kV (contact discharge). This exceeds IEC 61000-4-2, level 4 ESD immunity test.

The AOZ8010 comes in an RoHS compliant, 1.6mm x 4.0mm TDFN or DFN package and is rated over a -40°C to +85°C ambient temperature range.

Features

- 8 lines for EMI filtering and ESD protection:
 - Exceeds IEC 61000-4-2, level 4 (ESD) immunity test
 - ±18kV (air discharge) and ±18kV (contact discharge)
- Trench Vertical Structure [TVS]²™ based technology used to achieve excellent ESD clamping & filter performance over the full operating display range
- Filter performance: -35db attenuation from 800MHz to 2.2GHz
- Low operating voltage: 5.0V
- Capacitance stability over wide range of voltages and temperatures
- TDFN or DFN package: 1.6 x 4.0mm
- Pb-free device

Applications

- EMI filtering and ESD protection for data lines
- LCD displays, camera interface, I/O interface
- Portable handheld devices, cell phones, PDA phones



Typical Application

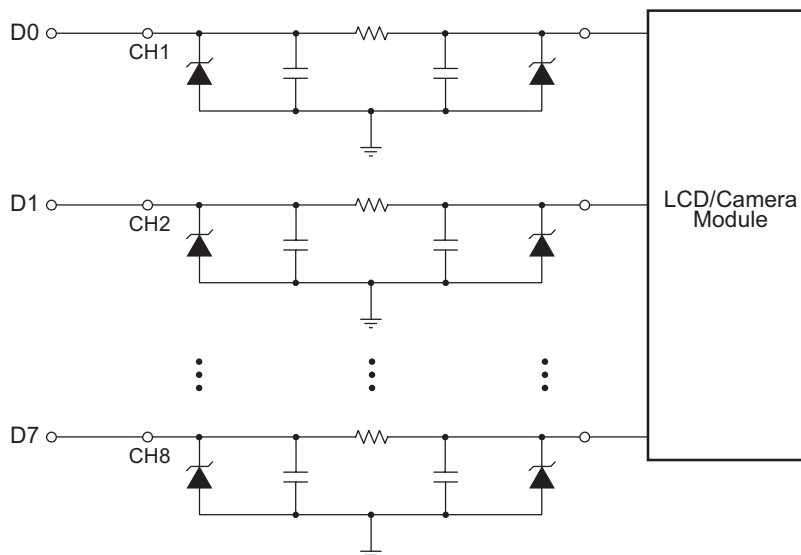


Figure 1.

Ordering Information

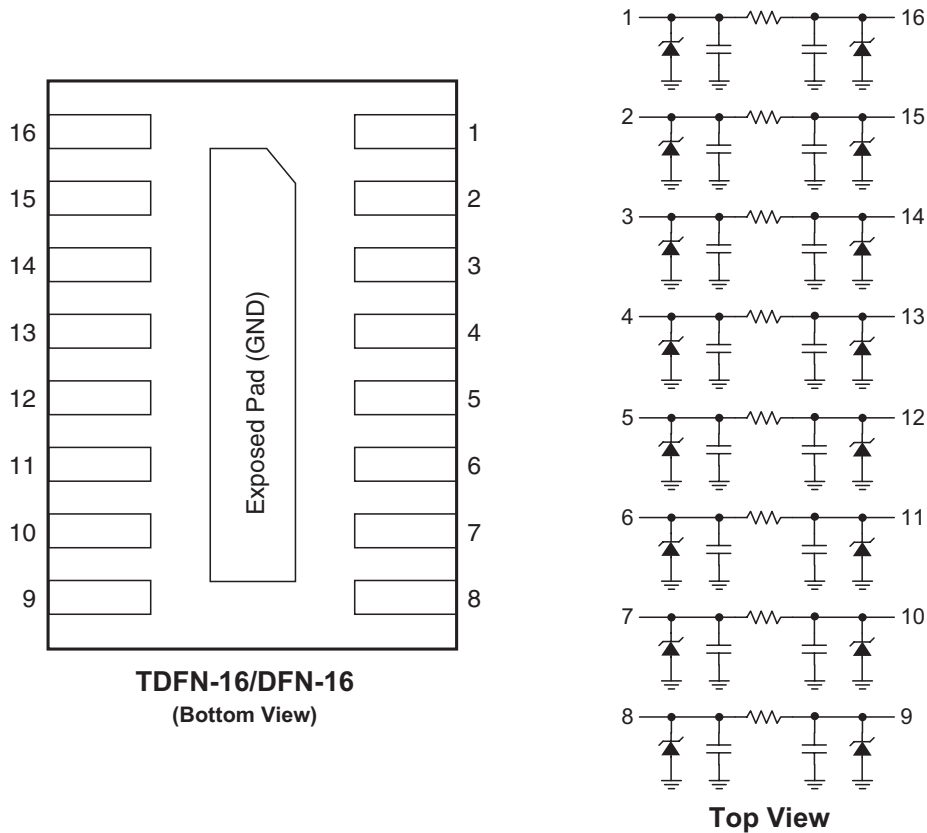
Part Number	Ambient Temperature Range	Package	Environmental
AOZ8010DTL	-40°C to +85°C	TDFN-16	RoHS Compliant Green Product
AOZ8010DIL*		DFN-16	



AOS Green Products use reduced levels of Halogens, and are also RoHS compliant. Please visit www.aosmd.com/web/quality/rohs_compliant.jsp for additional information.

* Not recommended for new designs.

Pin Configuration



Pin Description

Pin Number	Pin Name	Pin Function
1, 16	CH 1	Channel 1 Connections
2, 15	CH 2	Channel 2 Connections
3, 14	CH 3	Channel 3 Connections
4, 13	CH 4	Channel 4 Connections
5, 12	CH 5	Channel 5 Connections
6, 11	CH 6	Channel 6 Connections
7, 10	CH 7	Channel 7 Connections
8, 9	CH 8	Channel 8 Connections
Exposed Pad	GND	Common Ground Connection

Absolute Maximum Ratings

Exceeding the Absolute Maximum ratings may damage the device.

Parameter	Rating
Storage Temperature (T _S)	-65°C to +150°C
ESD Rating per IEC61000-4-2, contact ⁽¹⁾	±18kV
ESD Rating per IEC61000-4-2, air ⁽¹⁾	±18kV
ESD Rating per Human Body Model ⁽²⁾	±30kV

Notes:

- IEC 61000-4-2 discharge with C_{Discharge} = 150pF, R_{Discharge} = 330Ω.
- Human Body Discharge per MIL-STD-883, Method 3015 C_{Discharge} = 100pF, R_{Discharge} = 1.5kΩ.

Electrical Characteristics

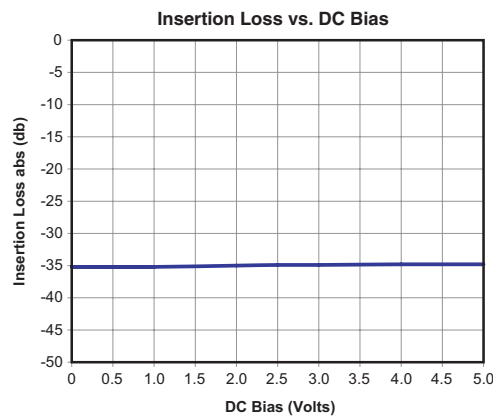
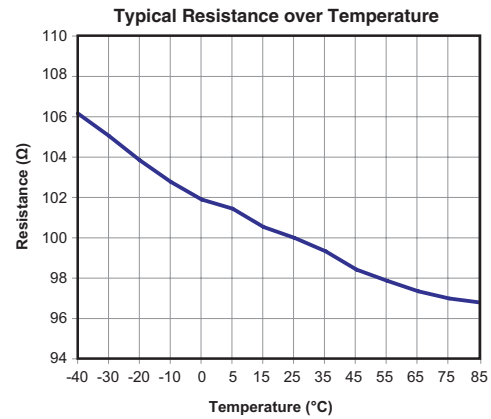
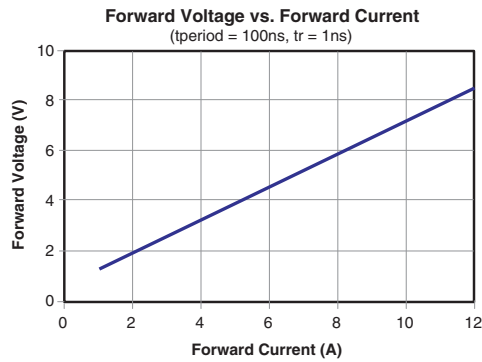
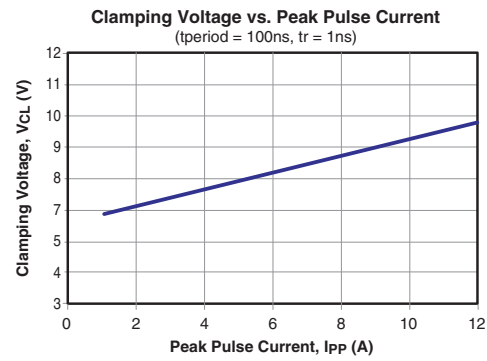
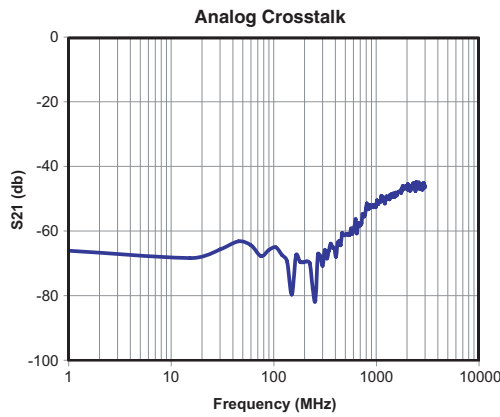
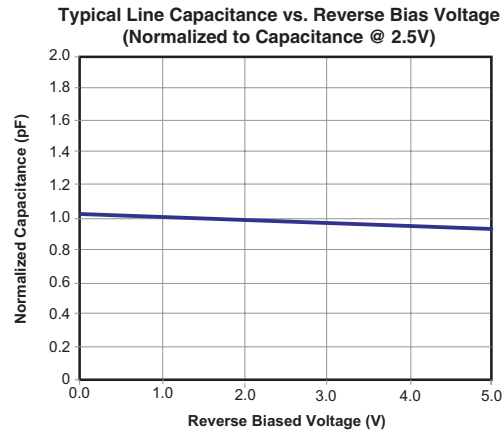
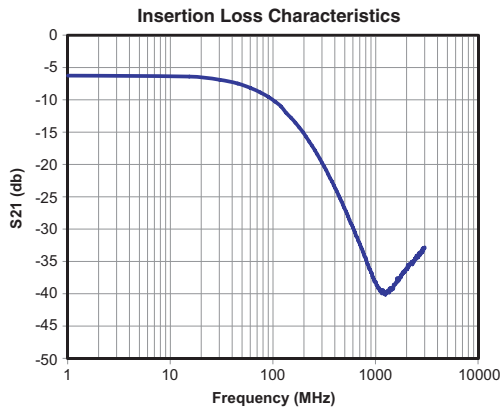
T_A = 25°C unless otherwise specified.

Symbol	Parameter	Conditions	Min.	Typ.	Max.	Units
V _{RWM}	Reverse Working Voltage	⁽³⁾ (⁸)			5.0	V
V _{BR}	Reverse Breakdown Voltage	I _T = 1mA ⁽⁴⁾	6	7	8	V
I _R	Reverse Leakage Current	V _{RWM} = 3.3V			0.1	μA
V _{CL}	Signal Clamp Voltage	I _{LOAD} = 12A, positive clamp ⁽⁵⁾ (⁸) I _{LOAD} = 12A, negative clamp ⁽⁵⁾ (⁸)		9.5 -8.5		V
R _{CH}	Total Series Resistance	I _R = 20mA	85	100	115	Ω
C _{CH}	Channel Capacitance	Input to Ground ⁽⁶⁾ (⁷⁾ (⁸)	26	28	30	pF
f _C	Cut-off Frequency	Measured with 50Ω source and 50Ω load termination		90		MHz
	Attenuation from 800MHz to 2.2GHz	V _R = 0V Measured with 50Ω source and 50Ω load termination		-35		dB
	Attenuation from 800MHz to 2.2GHz	V _R = 5V Measured with 50Ω source and 50Ω load termination		-35		dB

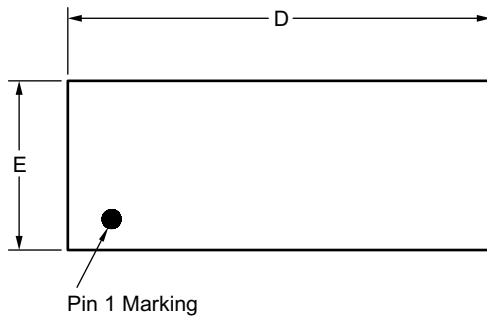
Notes:

- The working peak reverse voltage, V_{RWM}, should be equal to or greater than the DC or continuous peak operating voltage level.
- V_{BR} is measured at the pulse test current I_T.
- Measurements performed using a 100ns Transmission Line Pulse (TLP) system.
- Total capacitance is equal to 2 x C_{CH}.
- Measured at 25°C, V_R = 2.5V, f = 1.0MHz.
- Guaranteed by design.

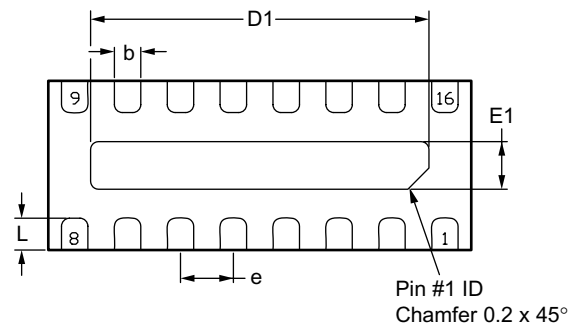
Typical Performance Characteristics



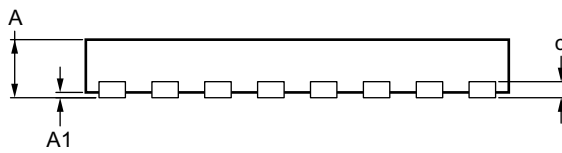
Package Dimensions, TDFN 1.6 x 4.0, 16L



TOP VIEW

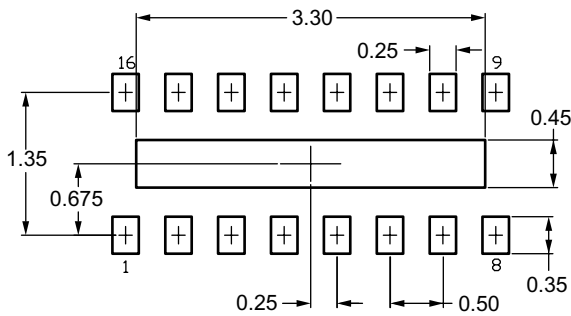


BOTTOM VIEW



SIDE VIEW

RECOMMENDED LAND PATTERN



UNIT: mm

Dimensions in millimeters

Symbols	Min.	Nom.	Max.
A	0.50	0.55	0.60
A1	0.00	—	0.05
b	0.20	0.25	0.30
c	0.152 REF.		
D	3.95	4.00	4.05
E	1.55	1.60	1.65
D1	3.15	3.20	3.25
E1	0.40	0.45	0.50
e	0.50 BSC		
L	0.25	0.30	0.35

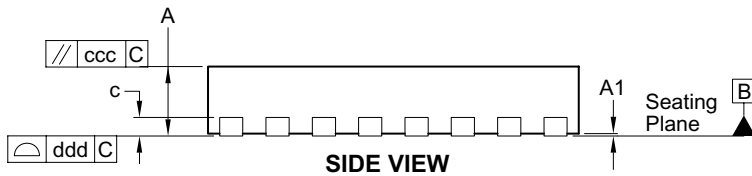
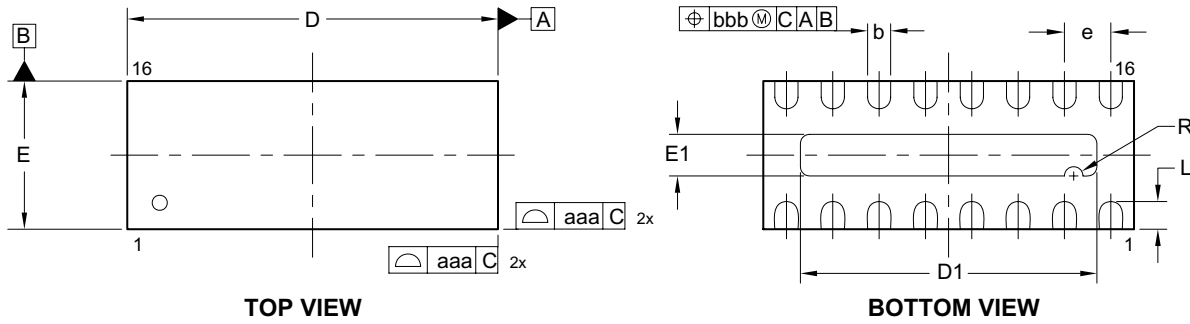
Dimensions in inches

Symbols	Min.	Nom.	Max.
A	0.020	0.022	0.024
A1	0.000	—	0.002
b	0.008	0.010	0.012
c	0.006 REF.		
D	0.156	0.157	0.159
E	0.061	0.063	0.065
D1	0.124	0.126	0.128
E1	0.016	0.018	0.020
e	0.020 BSC		
L	0.010	0.012	0.014

Note:

1. Controlling dimension is millimeter. Converted inch dimensions are not necessarily exact.

Package Dimensions, DFN 1.6 x 4.0, 16L (Not recommended for new designs)



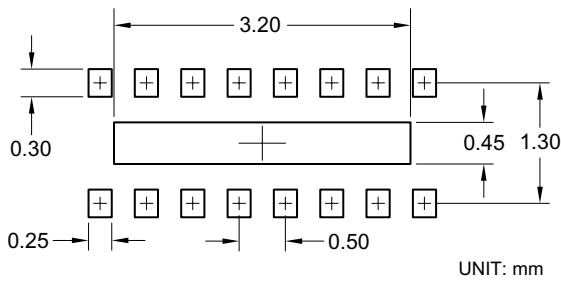
Dimensions in millimeters

Dimensions in inches

Symbols	Min.	Nom.	Max.
A	0.70	0.75	0.80
A1	0.00	0.02	0.05
b	0.18	0.25	0.30
c	0.15	0.20	0.25
D	4.00 BSC		
D1	3.05	3.20	3.30
E	1.60 BSC		
E1	0.30	0.45	0.55
e	0.50 BSC		
L	0.20	0.30	0.40
R	0.10		
aaa	0.15		
bbb	0.10		
ccc	0.10		
ddd	0.08		

Symbols	Min.	Nom.	Max.
A	0.028	0.030	0.031
A1	0.000	0.001	0.002
b	0.007	0.010	0.012
c	0.006	0.008	0.010
D	0.157 BSC		
D1	0.120	0.126	0.130
E	0.063 BSC		
E1	0.012	0.018	0.022
e	0.020 BSC		
L	0.008	0.012	0.016
R	0.004		
aaa	0.006		
bbb	0.004		
ccc	0.004		
ddd	0.003		

RECOMMENDED LAND PATTERN

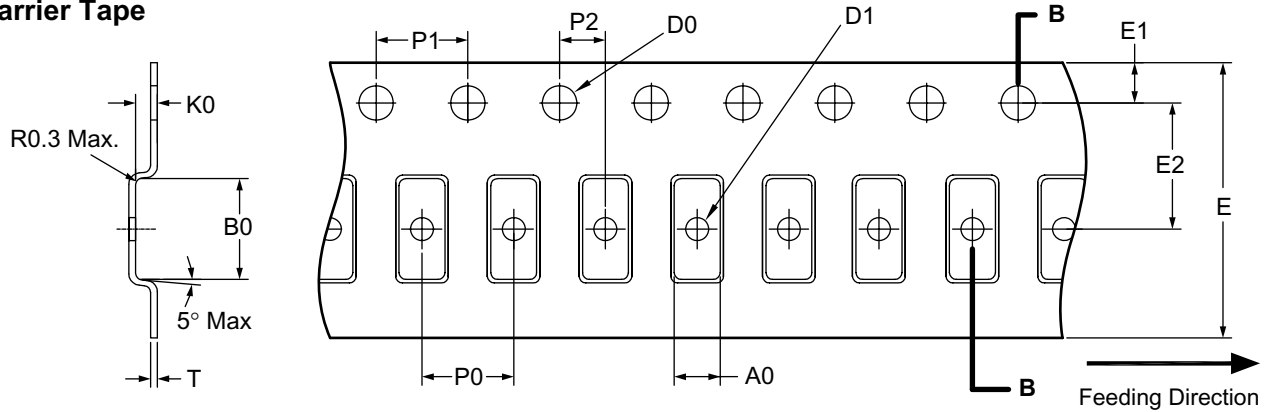


Notes:

1. Dimensions and tolerancing conform to ASME Y14.5M-1994.
2. All dimensions are in millimeters.
3. Dimension b applies to metallized terminal and is measured between 0.10mm and 0.30mm from the terminal tip. If the terminal has the optional radius on the other end of the terminal, the dimension b should not be measured in that radius area.
4. Coplanarity ddd applies to the terminals and all other bottom surface metallization.

Tape and Reel Dimensions, TDFN/DFN 1.6 x 4.0

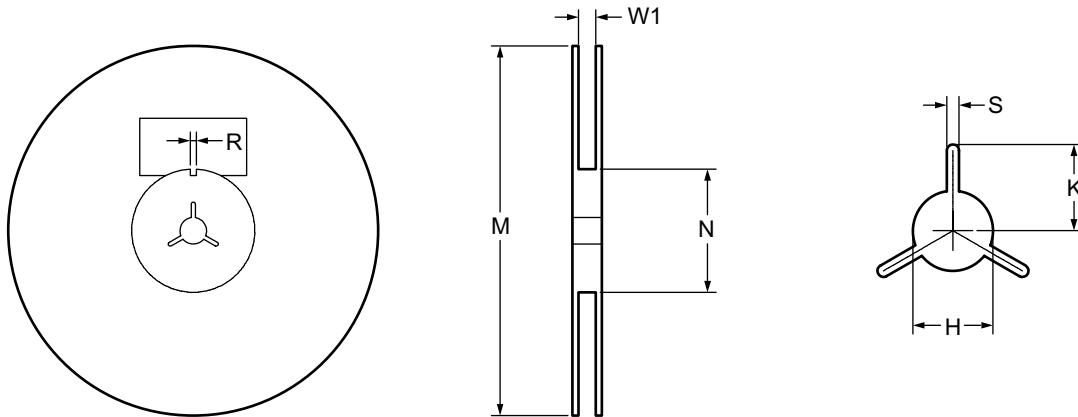
Carrier Tape



Unit: mm

Package	A0	B0	K0	D0	D1	E	E1	E2	P0	P1	P2	T
DFN 4x1.6	2.00 ±0.1	4.40 ±0.1	0.95 ±0.1	∅1.50 +0.1/-0	∅1.00 +0.1/-0	12.00 ±0.3	1.75 ±0.10	5.50 ±0.1	4.00 ±0.10	4.00 ±0.10	2.00 ±0.10	0.30 ±0.05

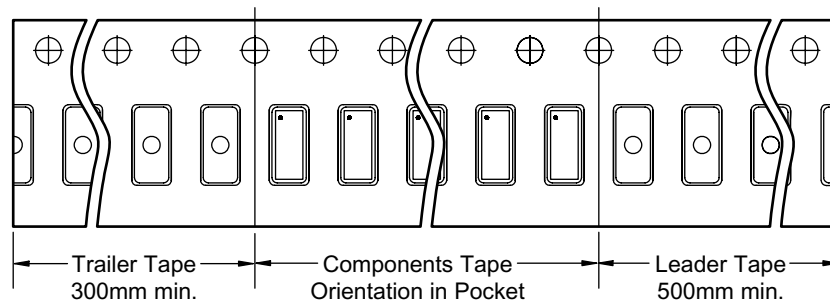
Reel



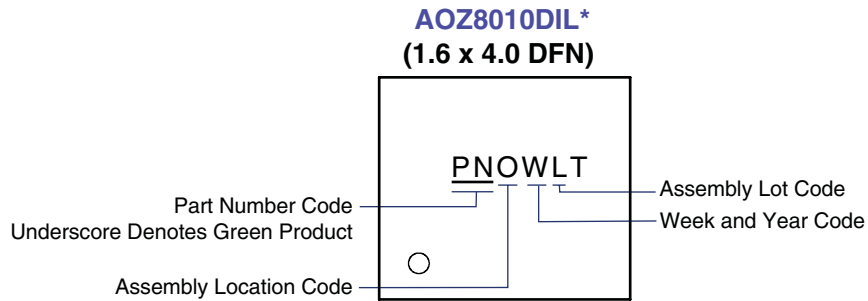
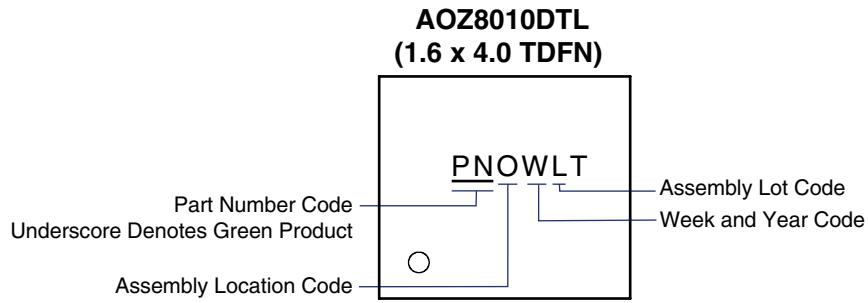
Unit: mm

Tape Size	Reel Size	M	N	W1	H	S	K	R
12mm	∅330	∅330.00 ±0.30/-4.00	55.00 ±0.40	12.4 +2.0/-0	13.00 ±0.20	2.20 ±0.20	10.60 ±0.20	—

Leader / Trailer & Orientation



Ω Package Marking



*** Not recommended for new designs.**

This data sheet contains preliminary data; supplementary data may be published at a later date. Alpha & Omega Semiconductor reserves the right to make changes at any time without notice.

LIFE SUPPORT POLICY

ALPHA & OMEGA SEMICONDUCTOR PRODUCTS ARE NOT AUTHORIZED FOR USE AS CRITICAL COMPONENTS IN LIFE SUPPORT DEVICES OR SYSTEMS.

As used herein:

1. Life support devices or systems are devices or systems which, (a) are intended for surgical implant into the body or (b) support or sustain life, and (c) whose failure to perform when properly used in accordance with instructions for use provided in the labeling, can be reasonably expected to result in a significant injury of the user.
2. A critical component in any component of a life support, device, or system whose failure to perform can be reasonably expected to cause the failure of the life support device or system, or to affect its safety or effectiveness.