



TSWITX-5V-2RX-EVM
Wireless Charging Transmitter

WIRELESS CHARGING

User Guide

LinkCharge™ LP Series

TSWITX-5V-2RX-EVM
Wireless Charging Transmitter
(Rev 1.01)

Introduction

The Semtech TSWITX-5V-2RX-EVM is an evaluation platform for the test and experimentation of a wireless charging transmitter based on the Semtech TS80002 Wireless Power Transmitter Controller and TS61005 Dual N-Channel MOSFET Driver. This evaluation module, in conjunction with its compatible receiver, the TSWIRX-5V2-EVM, provides a complete system.

The TSWITX-5V-2RX-EVM is a multi-device wireless charging platform that can support two TSWIRX-5V2-EVM oncurrently with each RX output at a 100mA.

Objectives

The objective of this User Guide is to provide a fast, easy and thorough method to experiment with and evaluate the Semtech solutions for wireless charging systems. Sufficient information is provided to support the engineer in all aspects of adding wireless charging support to their products. Semtech offers a variety of solutions to meet the needs of a wide range of system developers. Developers are provided with all the information on how this EVM was built as a starting point for their own designs using the TS80002 and other Semtech components.

Please make sure to download the latest software visit www.semtech.com/wireless-charging to download the latest EVM software for your evaluation board

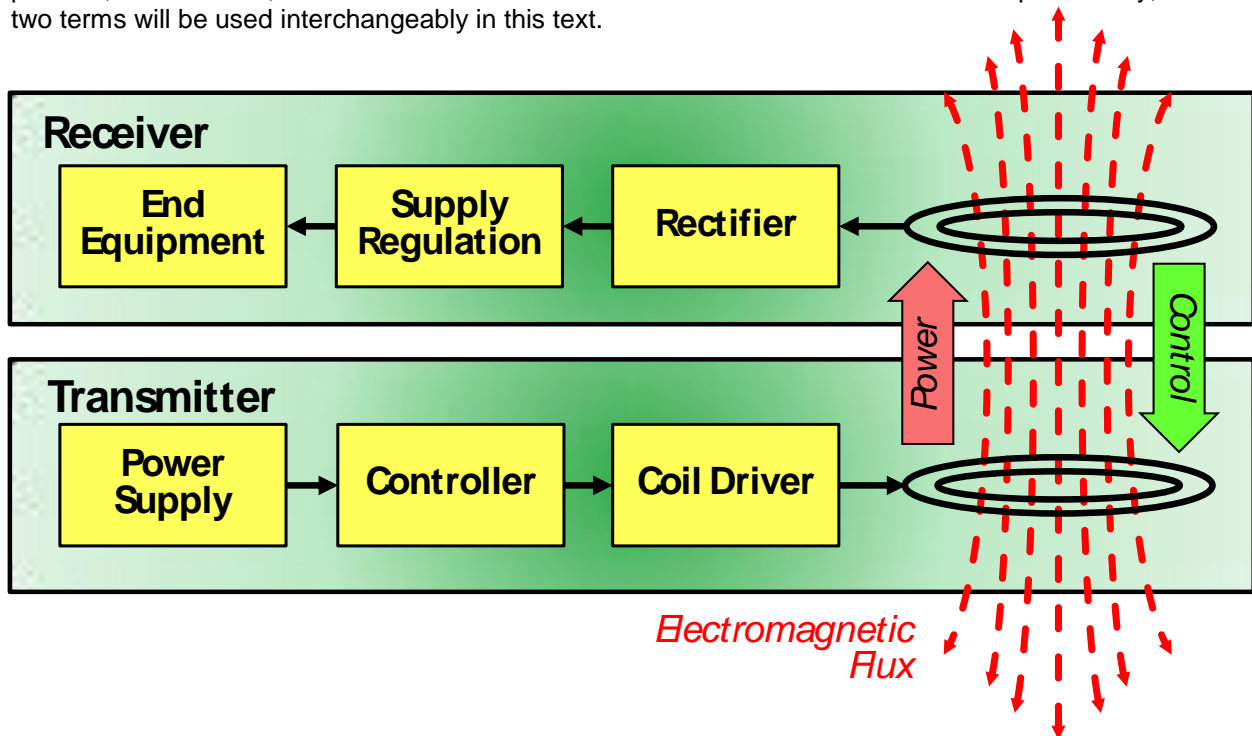
Table of Contents

<i>Wireless Charging Concepts</i>	2
<i>Product Description</i>	3
<i>Standard Use</i>	4
<i>Documentation</i>	7
A. Block Diagram	7
B. Schematic.....	8
C. Bill Of Materials	9
D. Board Layout	11
E. Board Layers	12
<i>FAQs</i>	13
<i>Next Steps</i>	14

Wireless Charging Concepts

Wireless power transfer is, essentially, a transformer. Power is provided to a primary coil which produces an electromagnetic (EM) field. In this field, a secondary coil is placed. The EM field induces a current into the secondary coil, providing power to whatever it is connected to.

However, unlike a conventional power transformer that operates at line frequencies and requires an iron core for efficiency, low power wireless power systems for wearable devices have been designed to operate in the 1 MHz range, and thus can perform efficiently with an air core. As such, the primary and secondary windings, if closely spaced, can be in separate devices, the primary being part of a transmitter and the secondary within a receiver. This implementation can also be described as a radio broadcast process, and as such, these transformer coils can also be seen as antennas with equal validity, and the two terms will be used interchangeably in this text.



Wireless power systems differ in another major aspect from conventional transformers, in that they are intelligently managed. A transmitter will only provide power when a receiver is present, and only produce the amount of power requested by the receiver. The intelligent management of the wireless power transmission process is achieved through the programming of the TS80002, which first searches for a receiver. Once found, the receiver informs the transmitter of its power requirements, and transmission begins. The system then verifies the right amount of power is being sent. The receiver will continually provide ongoing requests for power to maintain the transaction. If the requests cease, the transaction terminates. Via this protocol, even complex charging patterns can be supported, as the transmitter can provide varying amounts of power at different times, as requested by the receiver. Should the receiver require no further power, such as when a battery charge is completed, it can request no further power be sent, and the transmitter will reduce its output accordingly.

Wireless power systems have been broken into three basic power categories. “Wearable” devices, such as headsets, wrist-band devices, medical sensors, and so forth - all operate in the low power range, up to 5 watts. Medium power devices, in the 5- to 15-watt range, include most handheld devices, such as cell phones, tablets, and medical electronics. High power wireless systems are intended to support devices such as power tools, radio controlled (“RC”) devices such as drones, and other equipment requiring 15 to 100 watts of power.

Product Description

The TSWITX-5V-2RX-EVM Evaluation Module is a ready-to-use demonstration platform allowing testing of approximately 1 watt of wireless power transmission. The system operates at a 1MHz frequency.

The transmitter when coupled with its compatible receiver modules, the Semtech TSWIRX-5V2-EVM, will form a complete wireless power transmission system. TSWITX-5V-2RX-EVM can take 2 TSWIRX-5V2-EVMs at once. Both RX can output up to 100mA max at the same time.

Those who wish to develop their own board, or integrate this functionality into an existing system can use the EVM as a starting point for their design, as it demonstrates a working model from which to proceed. All documentation for the EVM is provided to make the process as efficient as possible.

The key technologies in the EVM are the Semtech TS80002 and TS61005 high efficiency integrated circuits. The TS80002 controls the system and implements the wireless power transfer protocols, while the TS61005 is the MOSFET driver that powers the transmitter antenna.

In this user guide, an introduction will be provided to the user for how to use the EVM for wireless power transmission in conjunction with the TSWIRX-5V2-EVM. Once the system is set up and working, a selection of tests and activities will be described from which the user can choose.



Key Features:

- Low power multi-device charging wireless power transmitter
- High switching frequency at 1MHz for low thermal dissipation into metal objects
- 5V input power supply
- Automatic timer with shut-off
- Foreign Object Detection (FOD)
- Pairs, with two LinkCharge LP receivers simultaneously
 - TSWIRX-5V2-EVM
 - Delivers 1 watt of total output power at the receivers
 - Freedom of positioning X,Y and Z of the receivers

Applications

- Low power Wearables
- Smart Jewellery, Trackers, Clothing
- Electric Tooth Brush
- LED fixtures such as powering and charging Tea Lights
- Low power industrial applications
- Low power portable medical devices such as blood pressure monitors

Standard Use

The TSWITX-5V-2RX-EVM is easy to set up and use. Connect a USB cable from any USB port capable of driving up to 2 watts (most PCs will suffice) to the USB port on the EVM. On application of power, the green LED should light, indicating the board is now active.

At this point, the EVM is ready to transmit power. A few times each second, the transmitter emits a 'ping' of energy in search of a compliant receiver in range.

When in range, the receiver is powered by the ping sufficiently to be able to announce its presence to the transmitter, and a transaction begins. The transmitter provides a small amount of power to the newly discovered receiver, so it can tell the transmitter what its power requirements are.

At the completion of this handshake, the transmitter begins providing the requested power and the green LED begins to blink. During power transfer, the receiver continuously communicates with the transmitter, actively directing the process. In this way, it is assured that power is only sent when and how it is required by an available and desirous receiver – and in the way that is compatible with the requirements of the receiver. If required, a receiver can actively increase or decrease its power request, and the transmitter will act accordingly. As such, equipment with complex charging requirements can be precisely supported and only the desired amount of power is provided.

End of charge after 2 hours: If any number of RXs present, TX will stop charging after 2 hours.

If foreign object detected, TX will stop charging and start pulsing until the foreign object is removed.

If the receiver is removed, the transmitter stops transferring power and keeps low standby power – just keep emitting a ping signal at a very low frequency.

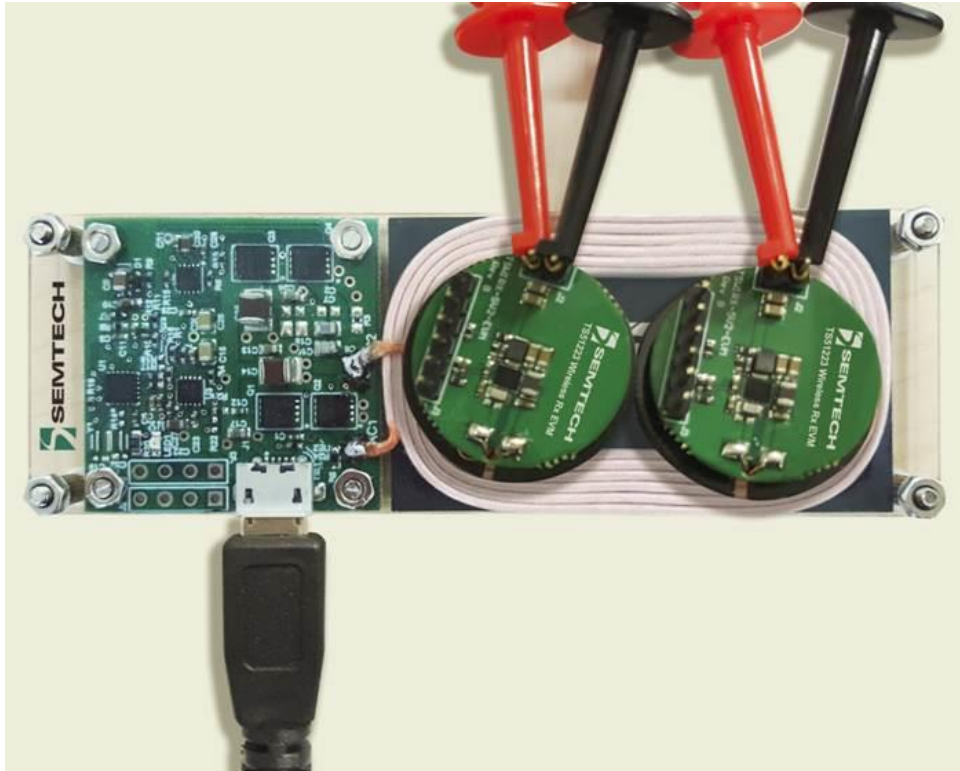
EVM Receiver Tests

A variety of tests can be performed with the use of the TSWIRX-5V2-EVM receiver module.

In order to use the TSWIRX-5V2-EVM as a target receiver, simply place the receivers over the target area on the transmitter EVM module. There will be 5V output at Vout connector. You can put the 2 receivers on the transmitter at the same time, or one receiver first then the other.

The optimal load to select would be a Programmable DC Electronic Load. A 'load box' can easily be set to draw a selected current or power at the turn of a knob, making them very flexible and easy to use in observing power supply operation in general. If a load box is not available, a power resistor decade box is nearly as convenient, as it can easily be set to any desired resistance to simulate a range of load conditions. If need be, a selection of resistors could be used as test loads, though without the ease of modification of the prior options. Be sure the test load is rated for at least the amount of power being tested.

Whatever load is selected, wires must be run from the VOUT+ and GND pins of the receiver EVM to the selected test load, as per the following illustration. Once the load is added, the receiver EVM can be used to perform a variety of tests.



Connect a DC voltmeter across the VOUT+ and GND pins to monitor the voltage being output to the load, and a DC ammeter in series with the VOUT+ line. Set levels to allow for up to 10 volts and 1 amp to be observed.

With no load selected, place the receivers on the transmitter target area (the 'primary coil' or 'transmitter antenna'). Once transmission begins, you should observe approximately 5 volts and 0 amperes on the meters. Then turn the Electronic Load from 0mA to 100mA, you can observe the Vout is constant.

Observe Coil Signals

The following information is not required in order to use the EVM, as what can be observed below is entirely managed by the Semtech TS80002 Wireless Controller. However, it allows the observer an opportunity to see how the receiver and transmitter actively manage the wireless power process.

If you wish to observe the intrinsic wireless process, place an oscilloscope probe on one antenna lead, with the probe ground run to the board ground (the outer casing of the USB port will suffice). Be sure the scope can handle signals up to 100 volts. While the EVM power supply is only 5 volts, the antenna is part of a resonant circuit where considerably higher voltages are developed.

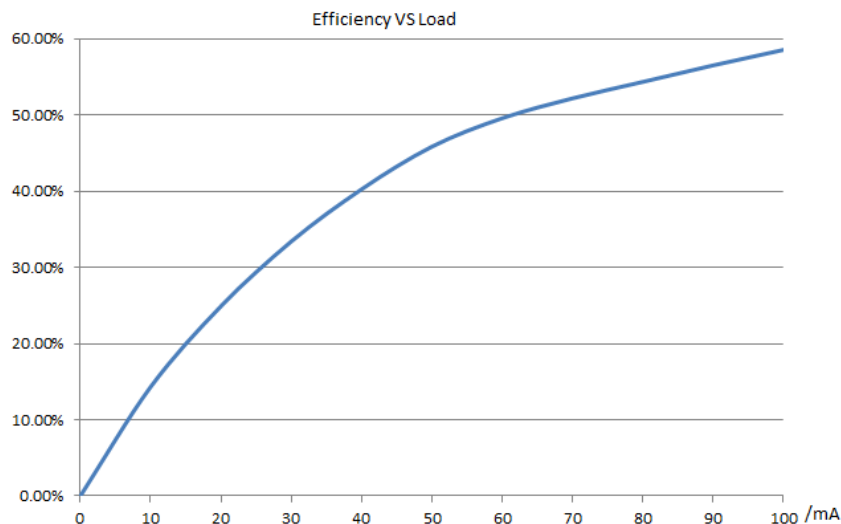
To observe the search ping, apply power to the transmitter and remove the receiver from the target zone. The scope should display a 'chirp' of 0.5 to 1mSec in duration with an initial peak of 30 to 35 volts. The frequency within the envelope of the chirp is in the 1-1.15 MHz range.

Next, place the receiver on the transmitter target. With the scope set to 0.2 to 1 uSec and 2 to 10 volts per division, you should observe a 'fuzzy sinewave' signal that is a composite of the sinusoidal power signal with an additional component produced by the much lower frequency digital communication between the receiver and transmitter. Observing the signal in the 1 to 5 mSec range will allow the ability to see the digital signal riding on the power modulation more readily. Note as you vary the load and the location of the receiver on the target that the amplitude and frequency of the coil signal changes. The greater the load, the more signal is sent to transfer the power required by the load. Similarly, the less well coupled the receiver antenna is to the transmitter coil, the more power must be sent to compensate for the inefficient misalignment. You may note in excess of 50 volts peak-to-peak in the most demanding conditions.

Measure Efficiency

By measuring the power from the receiver's VOUT+ and GND pins in comparison to the power entering the transmitter EVM, you can determine the efficiency of the power transfer through the system. The diagram below was obtained from the TSWITX-5V-2RX-EVM and two TSWIRX-5V2-EVMs, both Rx EVMs take same load from 0mA to 100mA.

$$\text{Efficiency} = \frac{V_{out1} * I_{out1} + V_{out2} * I_{out2}}{V_{in} * I_{in}} * 100\%, I_{out1} = I_{out2}(0\sim 100\text{mA})$$

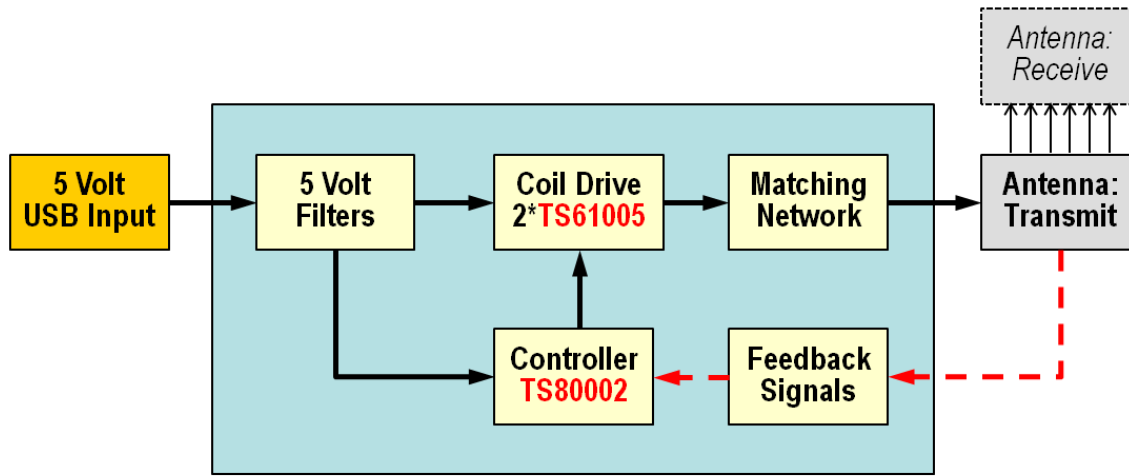


Documentation

The following sections document the hardware design of the TSWITX-5V-2RX-EVM. This information can be used to better understand the functionality of the design, as well as assist in creating your own hardware solution based on this design

A. Block Diagram

The TSWITX-5V-2RX-EVM may be divided into a number of sub-blocks as show in the diagram below:



5 Volt Filter - smooths the 5 volt input supply

Controller - based on the TS80002 Wireless Power Controller; manages all operations of the transmitter

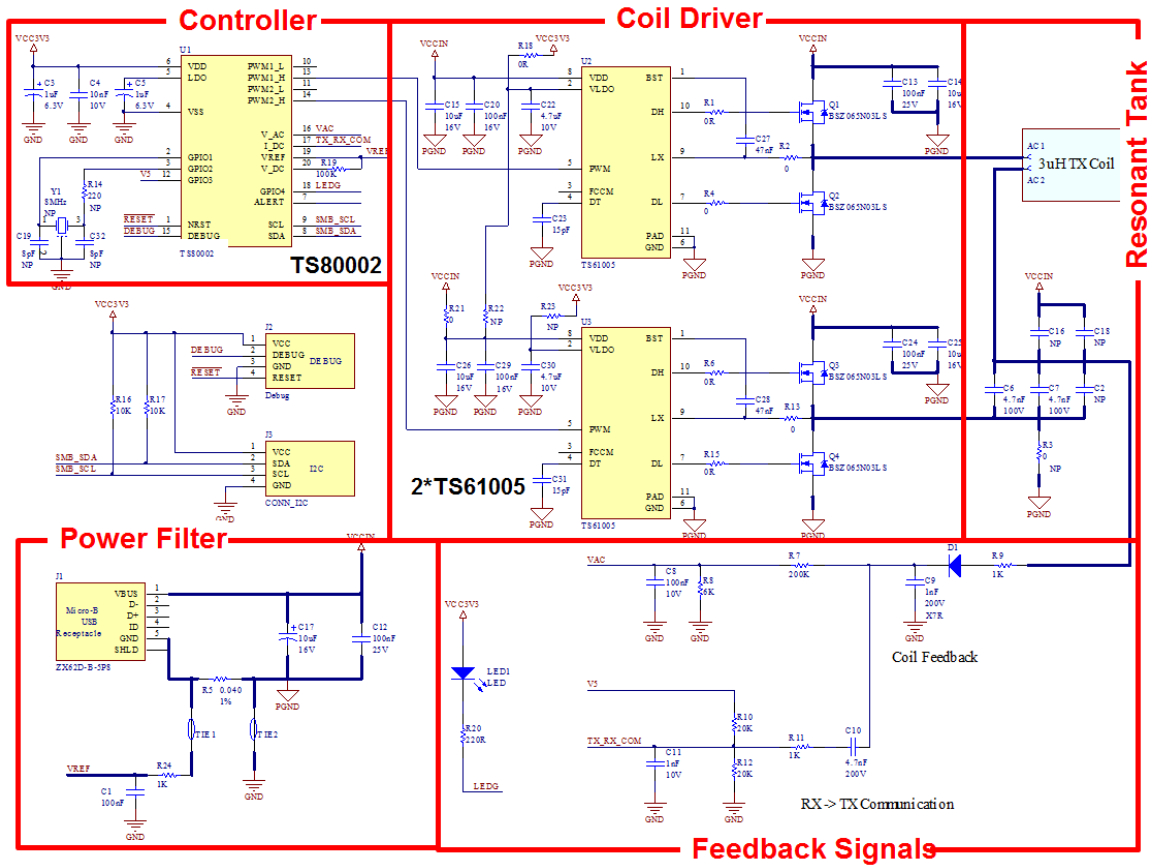
Coil Driver - based on the TS61005 Driver, powers the antenna based on inputs from controller

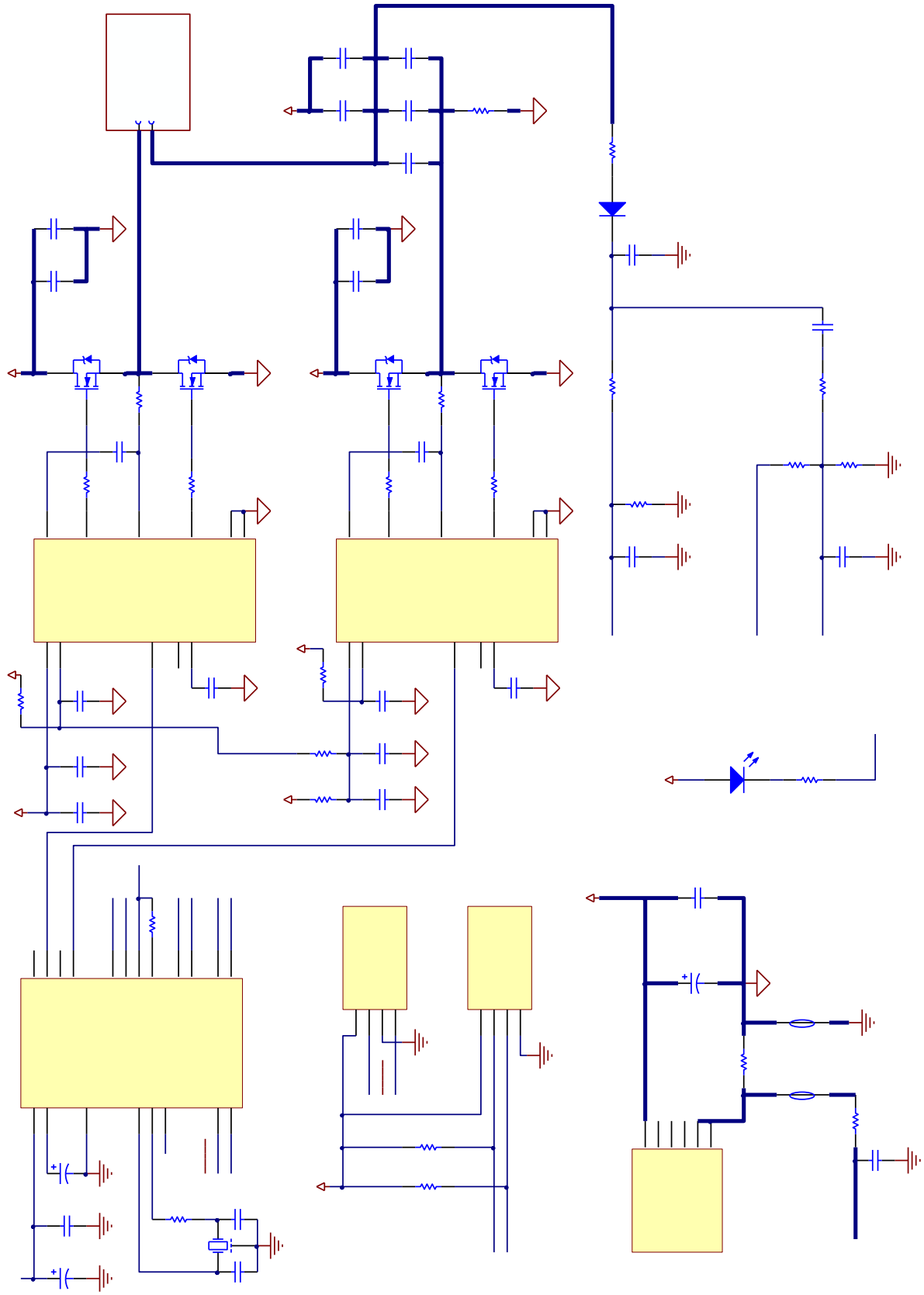
Antenna: Transmit - acts as the primary of an air-core transformer in conjunction with the receiver antenna

Feedback Signals - adapt the antenna and drive values for use as feedback input to the controller

B. Schematic

Below are two copies of the schematic for the TSWITX-5V-2RX-EVM. The first will be best when viewed on-screen, as it is normally oriented and can be zoomed in on for readability. The second will allow better use in print-out form, as the landscape orientation allows a larger image to be provided. For each, annotation has been added to indicate which part of the block diagram each component is a member of.





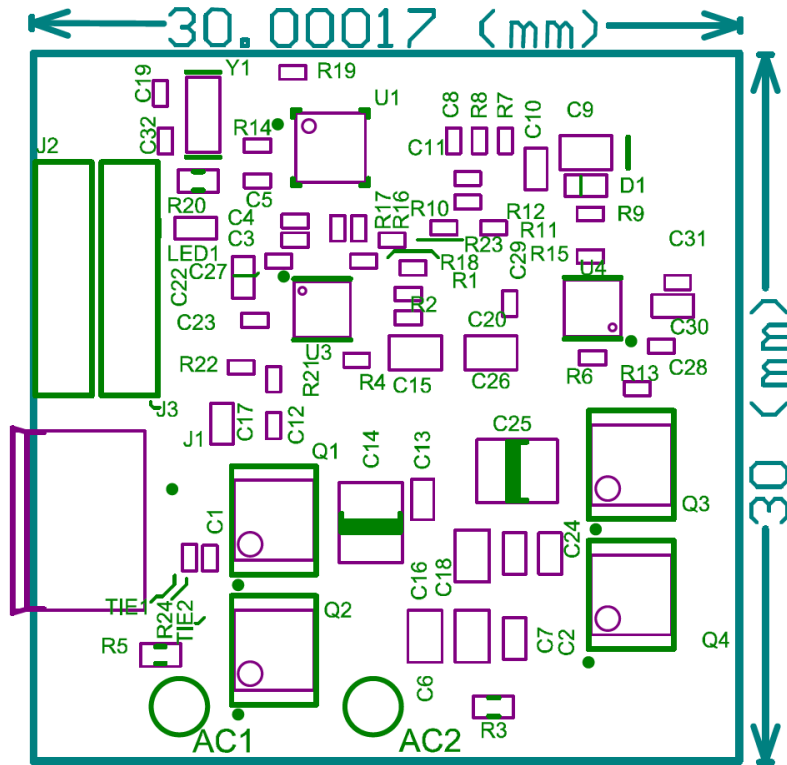
C. Bill Of Materials

Below is a listing of the parts used in the TSWITX-5V-2RX-EVM. Note that only a few dozen components were required to implement the complete transmitter solution.

	Designator	Value	Footprint	Description	Manufacturer	ManufacturerCode	Quantity
1	C1, C8	Cap/100nF/10V	CAPC0402L	Capacitor	NA	NA	2
2	C10	Cap X7R/4.7nF/100V	CAPC0603L	Capacitor	TDK	GRM188R72A104KA35D	1
3	C11	Cap/1nF/10V	CAPC0402L	Capacitor	NA	NA	1
4	C12	Cap/100nF/25V	CAPC0402L	Capacitor	NA	NA	1
5	C13, C24	Cap/100nF/25V	CAPC0603L	Capacitor	NA	NA	2
6	C14	Cap X7R/10uF/16V	CAPC1210N	Capacitor	Samsung	GRM32DR71C106KA01L	1
7	C15	Cap/10uF/16V	CAPC0805L	Capacitor	NA	NA	1
8	C17	Cap/10uF/16V	CAPC0603L	Capacitor	TDK	C1608X5R1C106M080AB	1
9	C20, C29	Cap/100nF/50V	CAPC0402L	Capacitor	NA	NA	2
10	C22	Cap/4.7uF/10V	CAPC0603L	Capacitor	NA	NA	1
11	C23	Cap/15pF/50V	CAPC0402L	Capacitor	NA	NA	1
12	C25	Cap X7R/10uF/16V	CAPC1210N	Capacitor	Samsung	GRM32DR71C106KA01L	1
13	C26	Cap/10uF/16V	CAPC0805L	Capacitor	NA	NA	1
14	C27, C28	Cap/47nF/25V	CAPC0402L	Capacitor	NA	NA	2
15	C3, C5	Cap/1uF/6.3V	CAPC0402L	Capacitor	TDK	C1005X5R0J105K050BB	2
16	C30	Cap/4.7uF/10V	CAPC0603L	Capacitor	NA	NA	1
17	C31	Cap/15pF/50V	CAPC0402L	Capacitor	NA	NA	1
18	C4	Cap/10nF/10V	CAPC0402L	Capacitor	NA	NA	1
19	C6, C7	Cap C0G/4.7nF/100V	CAPC0805L	Capacitor	TDK	C2012COG1H472J060AA	2
20	C9	Cap X7R/1nF/200V	CAPC0805N	Capacitor	TDK	08052C103KAT2A	1
21	Coil				Würth	760308102308	1
22	D1	1SS400T1G/200V/	SOD523-L	Diode	ON Semiconduct	1SS400T1G	1
23	J1	ZX62D-B-5P8	CON_USB_Micro-B_ZX62D-B-5P8		Hirose	ZX62D-B-5P8	1
24	LED1	LED	LEDC0603N	Green			1
25	Q1, Q2, Q3, Q4	BSZ065N03LS	PowerTSDSON-8	N-Channel Power MOSFET	Infineon	BSZ065N03LS	4
26	R1, R2, R4, R6, R13, R15, R18, R21,	Res/0R/	RESC0402L	Resistor	NA	NA	8
27	R10, R12	Res/20K/	RESC0402L	Resistor	NA	NA	2
28	R11, R24	Res/1K/	RESC0402L	Resistor	NA	NA	2
29	R16, R17	Res/10K/	RESC0402L	Resistor	NA	NA	2
30	R19	Res/100K/	RESC0402L	Resistor	NA	NA	1
31	R20	Res/220/	RESC0603N	Resistor	NA	NA	1
32	R5	75 PPM/C 0.020 1%	RESC0603L	Current Sense Resistor	Vishay	WSL0603R0200FEA	1
33	R7	Res/200K/	RESC0402L	Resistor	NA	NA	1
34	R8	Res/6K/	RESC0402L	Resistor	NA	NA	1
35	R9	Res/1K/	RES0603L	Resistor	NA	NA	1
36	U1	TS80002	UFQFPN50P300 X300-20VN	Transmitter Controller	Semtech	TS80002-QFN	1
37	U3, U4	TS61005	MLPD-UT-10	Half-Bridge FET driver with 3.3V LDO	Semtech	TS61005	2

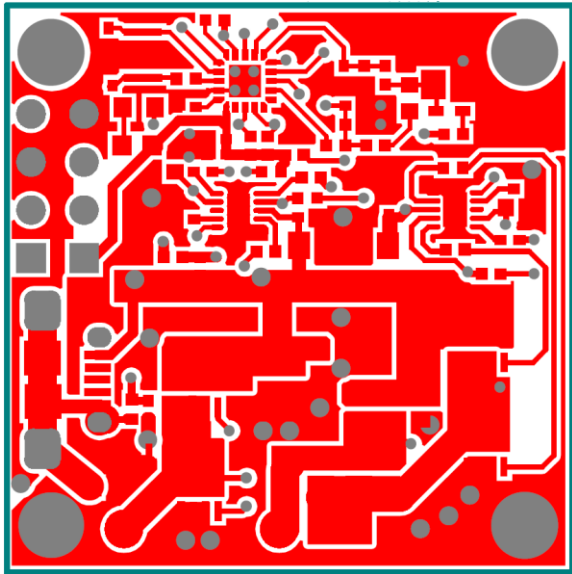
D. Board Layout

The diagram below shows the locations of the components used in the TSWITX-5V-2RX-EVM PCB.

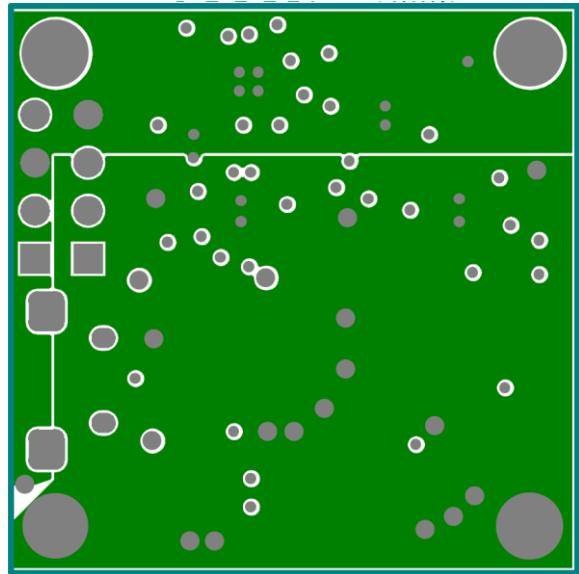


E. Board Layers

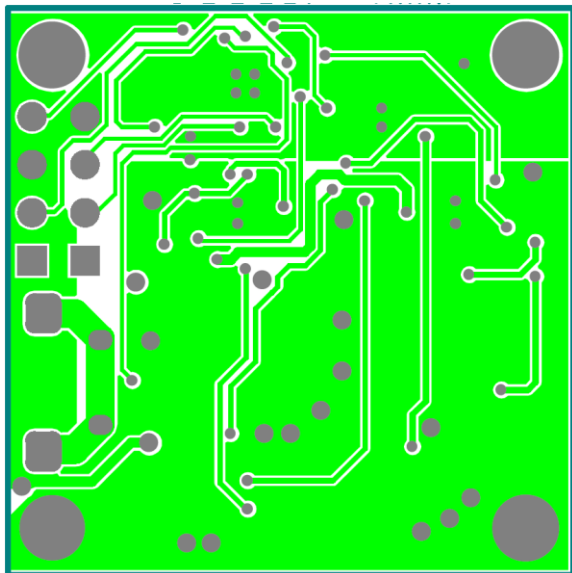
The TSWITX-5V-2RX-EVM PCB is based on a four layer design as shown below. The ground plane in layer two is recommended to reduce noise and signal crosstalk. The EVM placed all components on the top of the board for easier evaluation of the system. End product versions of this design can be made significantly smaller by distributing components on both sides of the board. The Gerber files for this artwork can be downloaded from the Semtech web page.



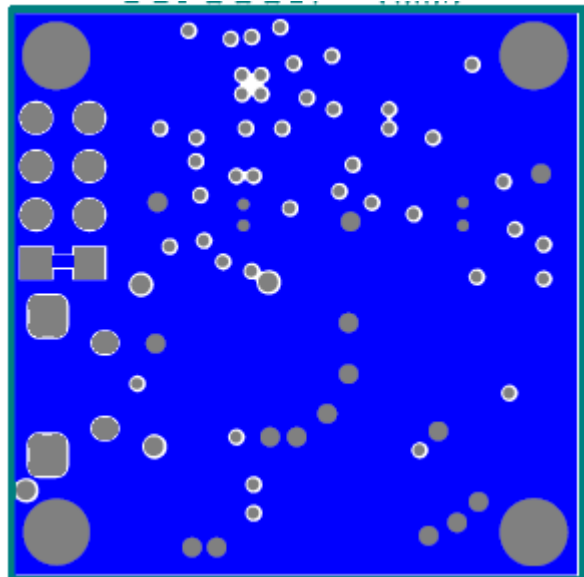
Top Layer



Ground Plane



Signal Layer



Bottom Layer

FAQs

Q: What output voltage is provided by the TSWITX-5V-2RX-EVM system?

A: Output voltage is receiver dependant. For the TSWIRX-5V2-EVM, the output is 5 volts.

Q: Is the TSWITX-5V-2RX-EVM compliant with Qi or another wireless transmission standard?

A: These low power wearable solutions are not based on existing standards in order to employ smaller coils and other optimizations that better suit the low power system environment.

Q: Does the EVM part number represent something in particular?

A: Yes. The part number is broken into a prefix, main body, and suffix, separated by dashes. The prefix is comprised of three two letter groupings that each help define the product represented. As such, the part number can be read as follows:

Prefix characters:

1+2 = Company :	TS = Triune/Semtech	
3+4 = Environment :	DM = Dual Mode	WI = Wearable Infrastructure
5+6 = Type :	TX = Transmit	RX = Receive

Mid-section = Device Voltage or Wattage

Suffix = Equipment type:

EVM = Evaluation Module
MOD = Production Module

Thus, the TSWITX-5V-2RX-EVM is a Wearable Infrastructure, Transmitter Evaluation Module provided by Semtech.

Q: Does the TSWITX-5V-2RX-EVM implement Foreign Object Detection (FOD)?

A: Yes, if foreign object detected, the transmitter will stop charging and start pulsing until foreign objects is removed.

Q: What if my questions weren't answered here?

A: Go to the Semtech website as described on the next page. An updated FAQ for the TSWITX-5V-2RX-EVM is maintained there and may contain the answers you're looking for. Your local Semtech FAE can also assist in answering your questions.

Next Steps

For more information on Wireless Power, go to the Semtech webpage at:

<https://www.semtech.com/wireless-charging>

You may also scan the bar code to the right to go to the above web page:



There you can find the downloadable copies of the schematic, BOM, and board artwork, as well as additional information on how to obtain Semtech wireless power products, from the chip level all the way to complete board modules, as your needs require.



IMPORTANT NOTICE

Information relating to this product and the application or design described herein is believed to be reliable, however such information is provided as a guide only and Semtech assumes no liability for any errors in this document, or for the application or design described herein. Semtech the latest relevant information before placing orders and should verify that such information is current and complete. Semtech reserves the right to make changes to the product or this document at any time without notice. Buyers should obtain warrants performance of its products to the specifications applicable at the time of sale, and all sales are made in accordance with Semtech's standard terms and conditions of sale.

SEMTECH PRODUCTS ARE NOT DESIGNED, INTENDED, AUTHORIZED OR WARRANTED TO BE SUITABLE FOR USE IN LIFE-SUPPORT APPLICATIONS, DEVICES OR SYSTEMS, OR IN NUCLEAR APPLICATIONS IN WHICH THE FAILURE COULD BE REASONABLY EXPECTED TO RESULT IN PERSONAL INJURY, LOSS OF LIFE OR SEVERE PROPERTY OR ENVIRONMENTAL DAMAGE. INCLUSION OF SEMTECH PRODUCTS IN SUCH APPLICATIONS IS UNDERSTOOD TO BE UNDERTAKEN SOLELY AT THE CUSTOMER'S OWN RISK. Should a customer purchase or use Semtech products for any such unauthorized application, the customer shall indemnify and hold Semtech and its officers, employees, subsidiaries, affiliates, and distributors harmless against all claims, costs damages and attorney fees which could arise.

The Semtech name and logo are registered trademarks of the Semtech Corporation. All other trademarks and trade names mentioned may be marks and names of Semtech or their respective companies. Semtech reserves the right to make changes to, or discontinue any products described in this document without further notice. Semtech makes no warranty, representation or guarantee, express or implied, regarding the suitability of its products for any particular purpose. All rights reserved.

© Semtech 2015

Contact Information

Semtech Corporation
200 Flynn Road, Camarillo, CA 93012
Phone: (805) 498-2111, Fax: (805) 498-3804
www.semtech.com