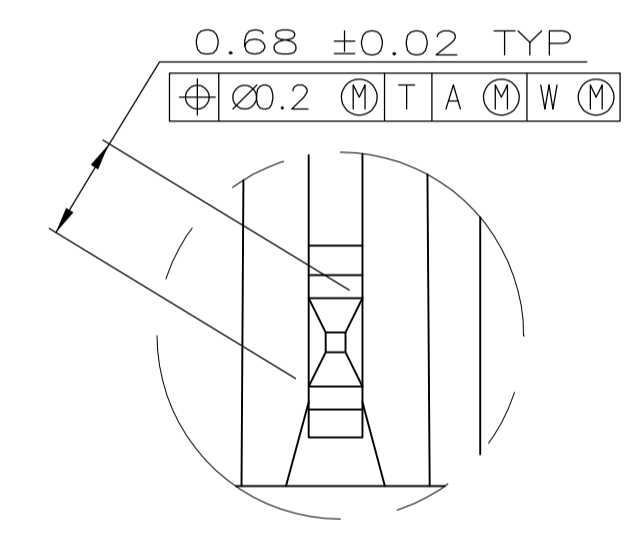
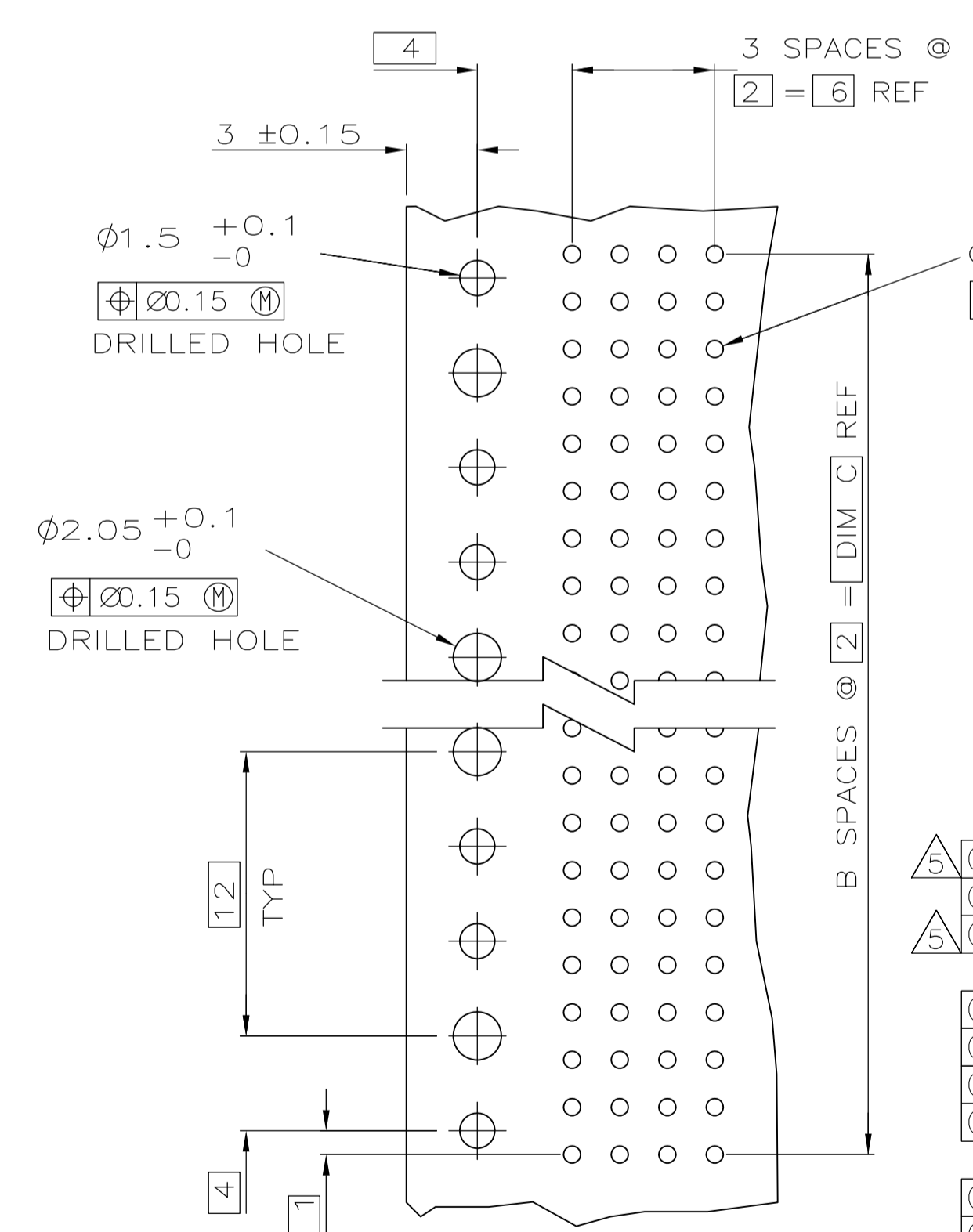


- 1 HOUSING MATERIAL: LIQUID CRYSTAL POLYMER PER ASTM D5138 LCP000 G30A 32250, COLOR: NATURAL.
- 2 CONTACT MATERIAL: PHOSPHOR-BRONZE.
- 3 CONTACT FINISH:
UNDERPLATE (ENTIRE CONTACT) - 0.00127 MIN. NICKEL
ON MATING SURFACES- CONFORMS TO ALL TESTING SPECIFIED FOR TELCORDIA UNCONTROLLED ENVIRONMENT
ON LEADS- 0.0006 MIN. TIN-LEAD, OVER UNDERPLATE
LUBRICATION (ENTIRE CONTACT) SURFACE CONDITIONER PER TE CONNECTIVITY SPEC 112-1002 AFTER PLATING.
- 4 PART MARKING PER AMP INCORPORATED SPECIFICATION 115-9009, LOCATED APPROXIMATELY AS SHOWN.
- 5 OBSOLETE PARTS: OBSOLETE CIS STREAMLINING PER D.RENAUD/D.SINISI



DETAIL Z
SCALE 20:1



RECOMMENDED CIRCUIT PATTERN
PER IPC-D300 TYPE II, CLASS C
(COMPONENT SIDE)

	NO	34	17	35.88	72	1-536511-2
1	OBSOLETE	NO	130	65	131.88	1-536511-1
2	OBSOLETE	NO	106	53	107.88	1-536511-0
3	OBSOLETE	NO	118	59	119.88	536511-9
4	OBSOLETE	NO	82	41	83.88	536511-8
5	OBSOLETE	NO	66	33	67.88	536511-7
6	OBSOLETE	NO	58	29	59.88	536511-6
7	OBSOLETE	NO	70	35	71.88	536511-5
8	OBSOLETE	NO	94	47	95.88	536511-4
9	OBSOLETE	NO	46	23	47.88	536511-3
10	OBSOLETE	NO	22	11	23.88	536511-2
11	OBSOLETE	YES	10	5	11.88	536511-1

THIS DRAWING IS A CONTROLLED DOCUMENT.		DIN 10/15/92		D.R.BENDER	
DIMENSIONS: mm		TOLERANCES UNLESS OTHERWISE SPECIFIED:		D.B.HEADER 03/29/93	
0 PLC ± -		1 PLC ± -		2 PLC ± .13	
3 PLC ± -		4 PLC ± -		ANGLES ± -	
MATERIAL		FINISH		APPROVED: D. BAECHTLE 03/29/93	
1-2		3		NAME: RCPT. ASS'Y., SIGNAL MODULE, Z-PACK 2mm FB 4 ROW, 3.55mm PRESS FIT LEAD LENGTH	
CUSTOMER DRAWING		SCALE 4:1		SHEET 1 OF 1	
WEIGHT		DRAWING NO. A1 00779		REV 536511	