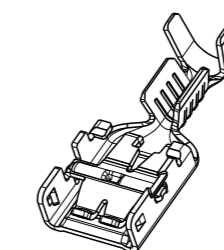
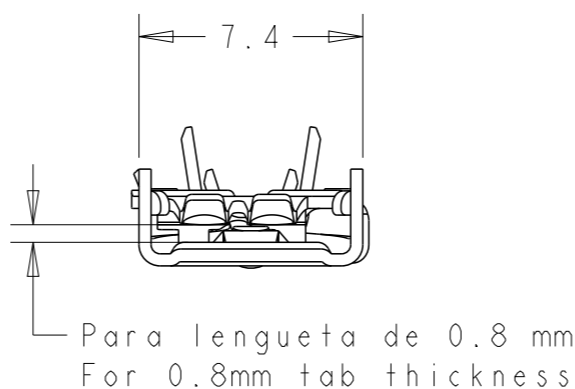
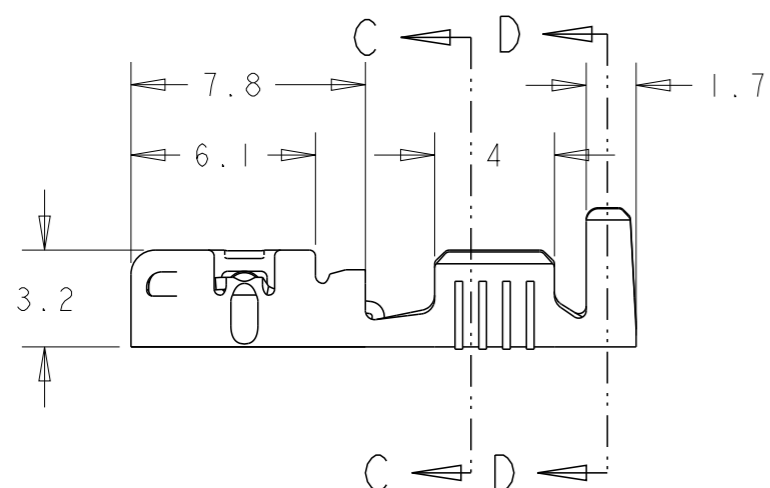


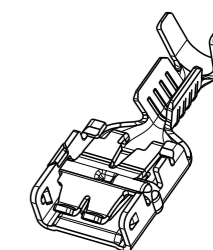
REVISIONS

P	LTR	DESCRIPTION	DATE	DWN	APVD
	K2	REVISED PER ECR-15-013036	03SEP2015	NK	DC

PACKAGING DETAILS:
 QUANTITY PER REEL: 8000 PCS(END FEED).
 SPLICES FREE

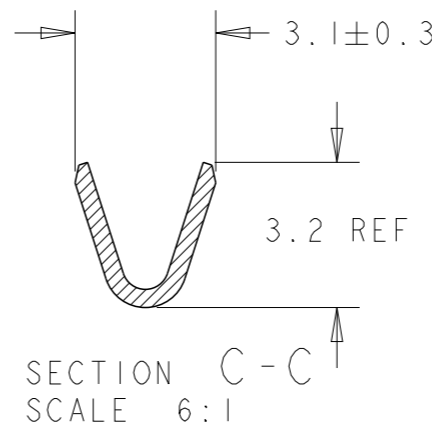
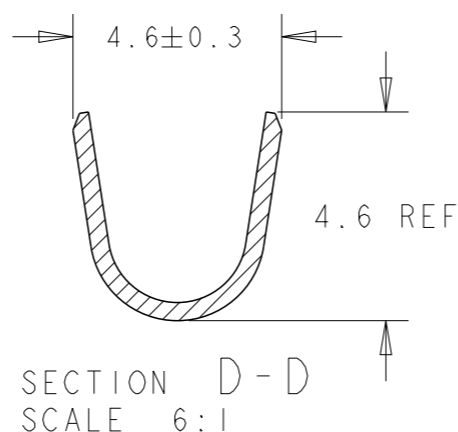
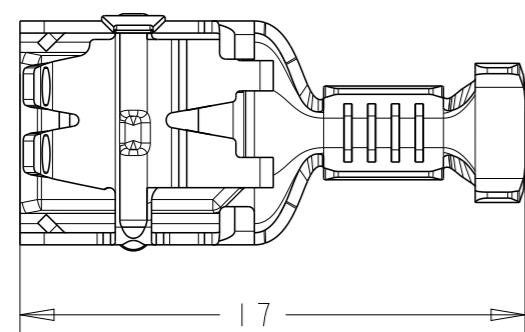


Left-sided product

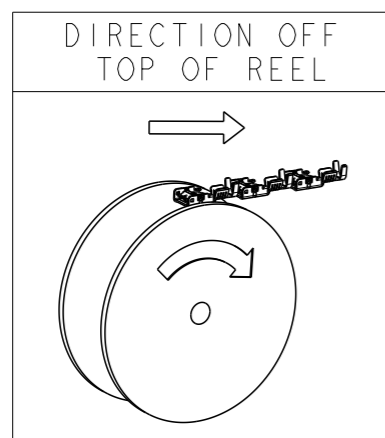


Right-sided product

Rango de hilo de 0,5 a 1,5 mm²
 Wire range from 0.5 to 1.5 mm²
 Diametro de aislante max 3,0 mm
 Max. Insulation Diameter 3.0 mm



336075-7 (REELED WITH PAPER INTERLEAVE)	Latón Brass	Preestañado Pre-Tin
336075-6	CuNiSi	Preestañado Pre-Tin
336075-5	Acero Steel	Preniquelado Pre-Ni
336075-3	Latón Brass	Preestañado Pre-Tin
336075-1	Latón Brass	-
Guion Dash	Material	Acabado Finish



THIS DRAWING IS A CONTROLLED DOCUMENT.		DWN J. Saló 22 Dec 04	STE TE Connectivity	
		CHK L. L. 22 Dec 04		
DIMENSIONS: mm	TOLERANCES UNLESS OTHERWISE SPECIFIED:	APVD -	NAME E-SPRING CONTACT 6,35 Receptaculo 6.35 Receptacle E-SPRING CONTACT	
	0 PLC ±0.5 1 PLC ±0.5 2 PLC ± 3 PLC ± 4 PLC ± ANGLES ±	PRODUCT SPEC 108-22128 Brass 108-22150 Pre-Ni Steel	SIZE A3	CAGE CODE 00779
MATERIAL Table	FINISH Table	APPLICATION SPEC 114-22017	DRAWING NO C-336075	RESTRICTED TO -
		WEIGHT -		
		Customer Drawing	SCALE 4:1	SHEET 1 OF 1
				REV K2