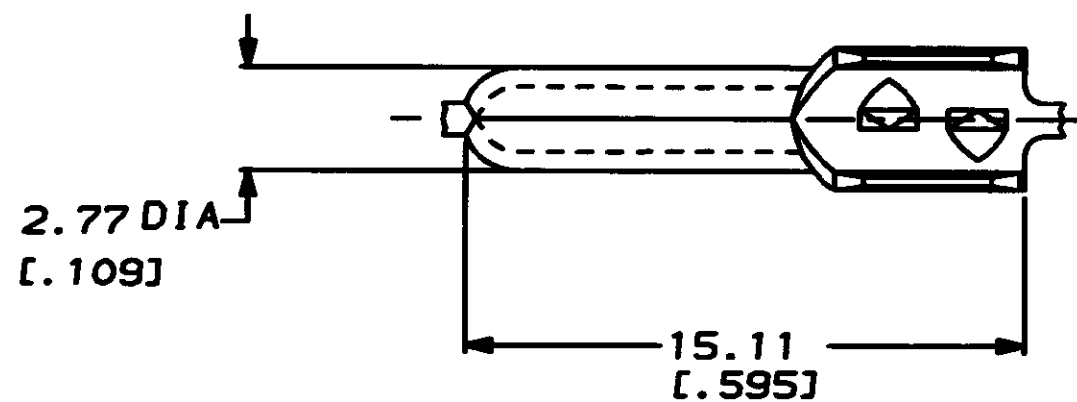
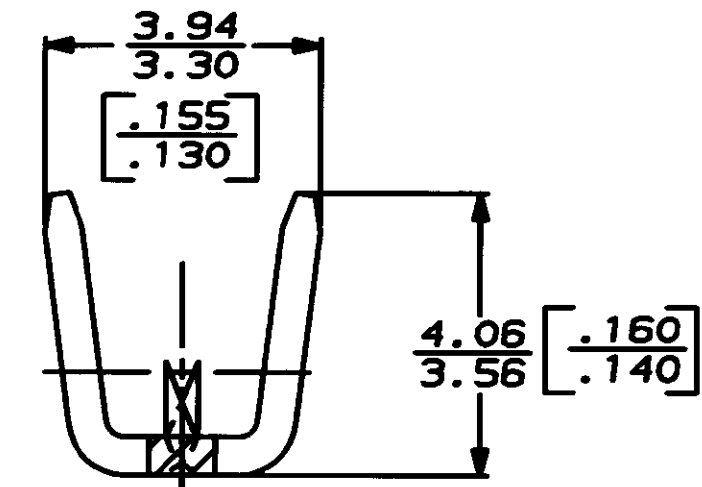
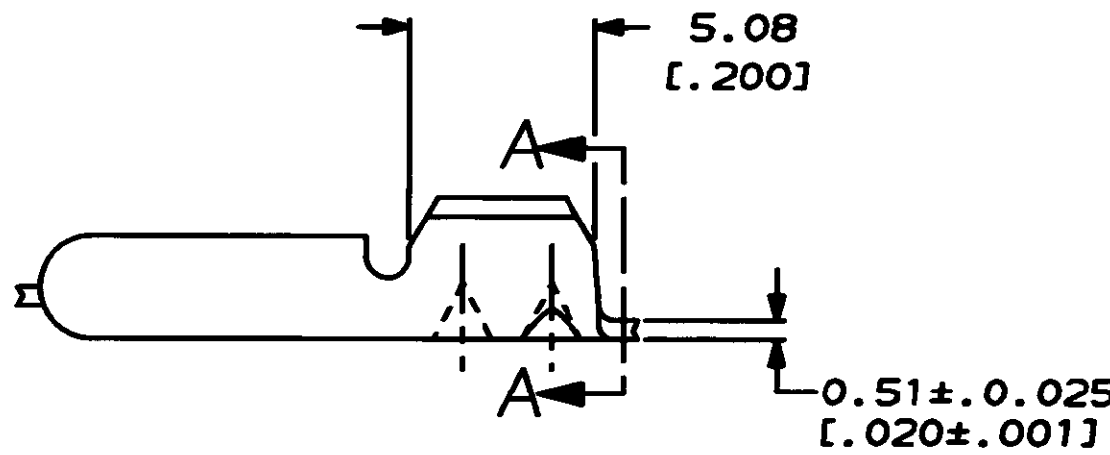


THIS DRAWING IS UNPUBLISHED. RELEASED FOR PUBLICATION ,19 .
 © COPYRIGHT 19 BY AMP INCORPORATED. ALL INTERNATIONAL RIGHTS RESERVED.

| LOC | DIST | P | F | REVISIONS | | | | |
|-----|------|---|---|-----------|-----|-----------------|----------|-------|
| | | | | ZONE | LTR | DESCRIPTION | DATE | APPD |
| AF | 50 | | | | E | REV PER AF-8235 | 12/23/92 | PF/GY |



- 1 CONTINUOUS STRIP ON REEL
- 2 CRIMPING INFO: 3.56 [.140] F TYPE CRIMP
- 3 TO BE REELED WITH PAPER.



SECTION A-A
SCALE 10:1

METRIC

| | | |
|---|--|---|
| 2.16 [.085] THK | 2.16 [.085] X 0.89 [.035] SPECIAL FLAT WIRE | 61674-1 |
| INSULATION RANGE | WIRE RANGE | PART NO |
| DO NOT SCALE PRINT. UNLESS SPECIFIED DIMENSIONS IN mm (INCHES) TOLERANCES ON: 2 PLC DEC * - 3 PLC DEC * 0.38 (.015) ANGLES * - | DR 12/11/88 P FORREY CHK 12/13/88 JR RUTH APPD 12/13/88 G YETTER APPD 12/13/88 R KIDD PRODUCT SPEC - APPLICATION SPEC - WEIGHT - | AMP INCORPORATED Harrisburg, Pa. 17105 NAME PIN, INSULATION PIERCING, 2.99 [.109] DIA SIZE B CASE CODE 00779 DRAWING NO 61674 SCALE 5:1 SHEET 1 OF 1 |
| MATERIAL #2 HARD BRASS | FINISH --- | |