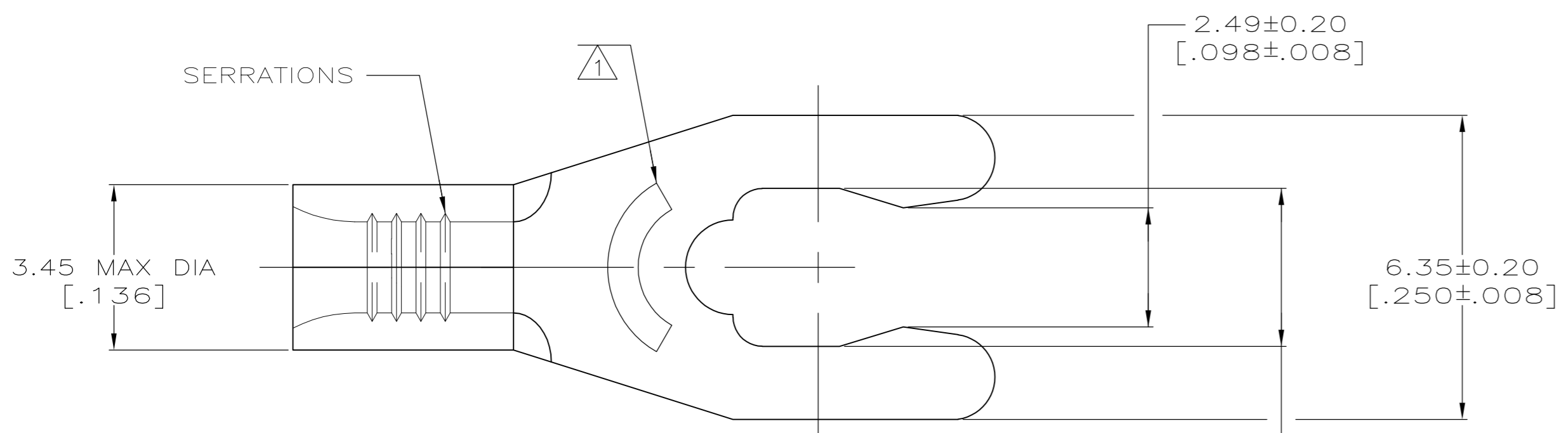
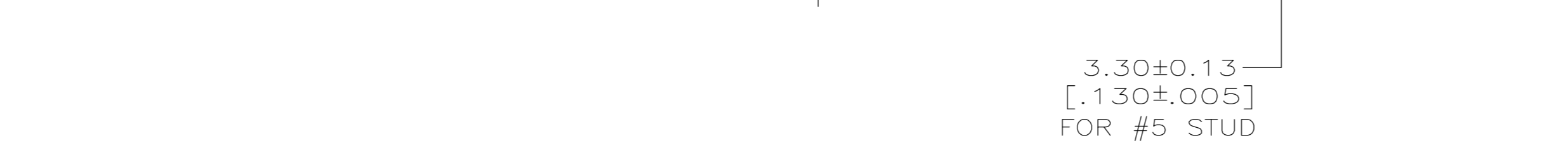


THIS DRAWING IS UNPUBLISHED. RELEASED FOR PUBLICATION
 © COPYRIGHT BY TYCO ELECTRONICS CORPORATION. ALL INTERNATIONAL RIGHTS RESERVED.

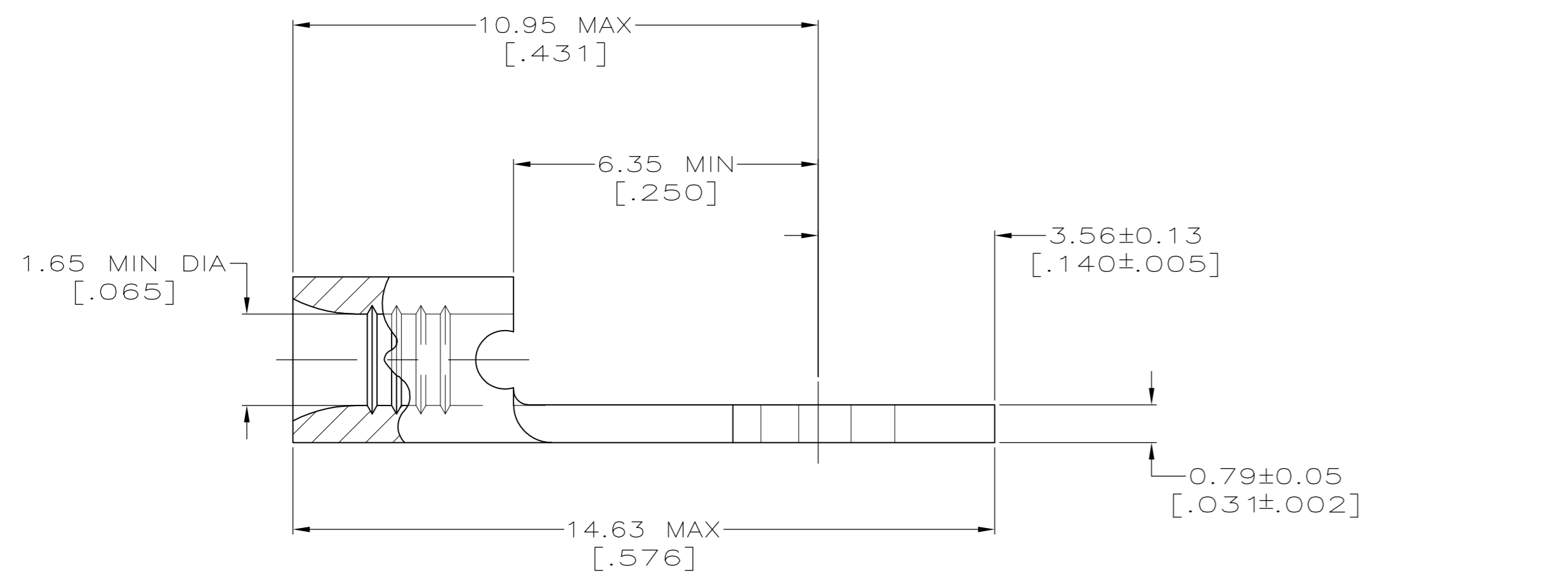
LOC	DIST	REVISIONS			
P	LTR	DESCRIPTION	DATE	DWN	APVD
G	14	B1	REDRAWN PER ECR 10-006147	23MAR10	JR TM



AMP WIRE RANGE	Listed FILE E13288	LR7189 Certified
22-16 AWG STRANDED	22-16 AWG STRANDED	NOT CERTIFIED



- ① STAMP 5S AMP 22-18* APPROX AS SHOWN
22-16 TERMINALS ARE STAMPED 22-18 IN
ACCORDANCE WITH MILITARY SPEC SAE-AS7928
COMMERCIAL WIRE RANGE IS 22-16
5S INDICATES STUD SIZE
- ② PHOS BRONZE PER ASTM B103, ANNEALED
- ③ TIN PLATE 0.00254 [.000100] MIN THK PER
ASTM B545



53005-1
PART NO.

CUSTOMER SERVICE SYSTEMS		MAX RECOMMENDED OPERATING TEMPERATURE: 170°C MAX		THIS DRAWING IS A CONTROLLED DOCUMENT.		DWN TA BRINKMAN 2-11-93		Tyco Electronics Corporation Harrisburg, PA 17105-3608	
FOR ADDITIONAL PRODUCT INFORMATION OR COPIES OF DRAWINGS AND TECHNICAL DOCUMENTS		PRODUCT INFORMATION CENTER 1-800-522-6752		DIMENSIONS: mm [INCHES]		TOLERANCES UNLESS OTHERWISE SPECIFIED:		CHK DA PATTERSON 2-11-93	
FOR APPLICATION		TOOLING ASSISTANCE CENTER 1-800-722-1111		VOLTAGE RATING: N/A		0 PLC ± - 1 PLC ± - 2 PLC ± - 3 PLC ± - 4 PLC ± - ANGLES ± -		APVD JL MECKLEY 2-11-93	
TOOLING INFORMATION		1-800-722-1111		CIRCULAR MIL AREA: 0.26-1.65mm² [509-3260] STRANDED		MATERIAL - ②		FINISH - ③	
FOR ORDER ENTRY		1-800-526-5142		THIS DRAWING IS A CONTROLLED DOCUMENT FOR AMP INCORPORATED. IT IS SUBJECT TO CHANGE AND THE CONTROLLING ENGINEERING ORGANIZATION SHOULD BE CONTACTED FOR THE LATEST REVISION.		NAME		TERMINAL, SHORT SPRING SPADE, BUDGET 22-16	
						SIZE		RESTRICTED TO	
						A2		-	
						CAGE CODE		-	
						00779		-	
						DRAWING NO		-	
						C=53005		-	
						WEIGHT		-	
						CUSTOMER DRAWING		-	
						SCALE		-	
						10:1		-	
						SHEET		-	
						1 of 1		-	
						REV		-	
						B1		-	

53005