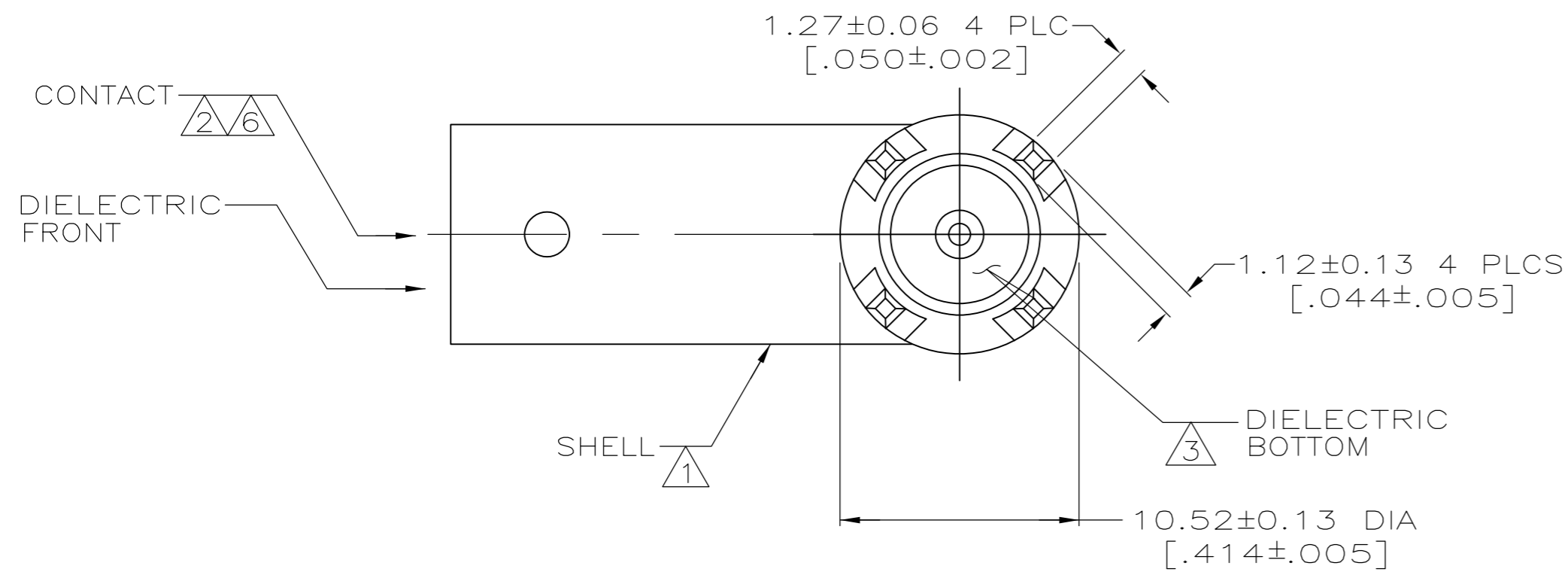
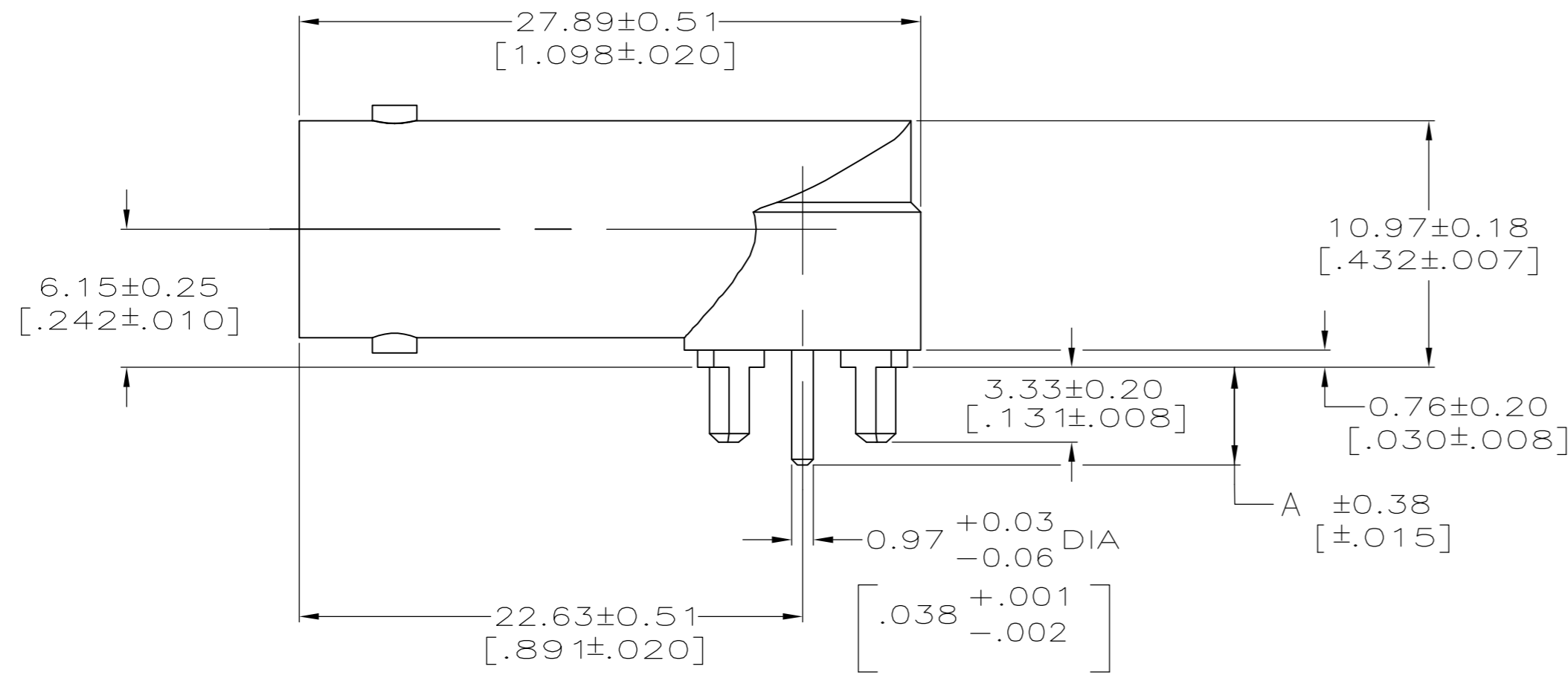
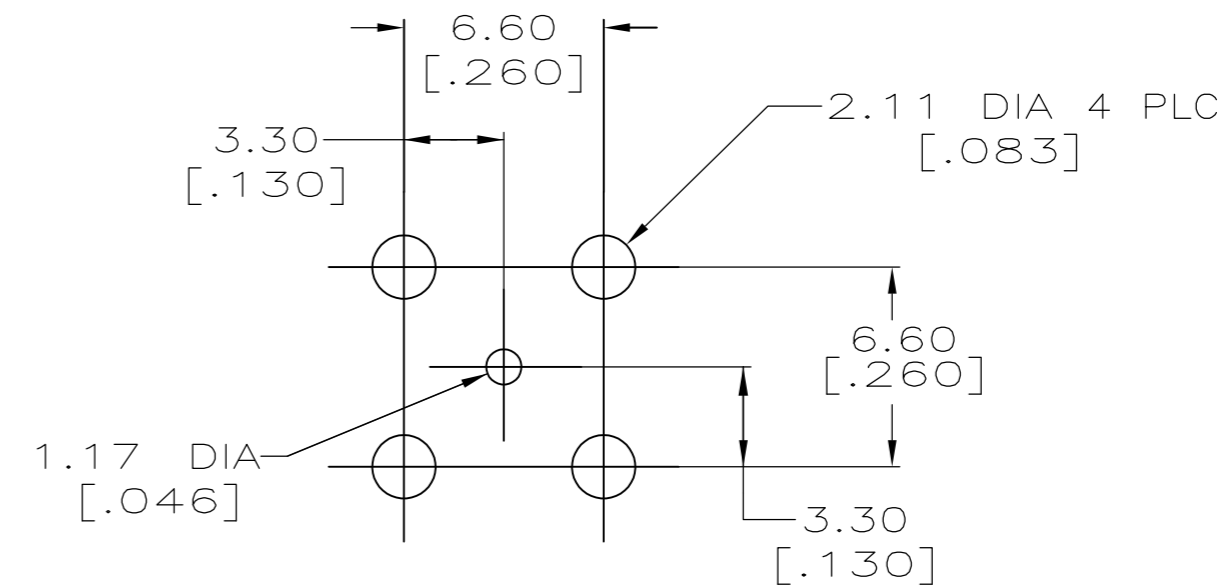


THIS DRAWING IS UNPUBLISHED. RELEASED FOR PUBLICATION
 © COPYRIGHT - By - ALL RIGHTS RESERVED.

Loc		DIST		REVISIONS			
P	LTR	DESCRIPTION		DATE	DWN	APVD	
	B3	REVISED PER ECO-11-005030		11MAR11	RK	HMR	
	C	ECO-12-018113		27DEC2012	TD	MY	



- ① ZINC PER QQ-Z-363.
- ② BERYLLIUM COPPER PER QQ-C-530.
- ③ PTFE PER MIL-P-19468.
- ④ NICKEL PLATE PER QQ-N-290, 3.81µm [.000150] MINIMUM THICK.
- ⑤ TIN PLATE PER ASTM-B-545, 3.04µm [.000120] MINIMUM THICK OVER NICKEL PLATE PER MIL-C-26074, 7.62µm [.000300] MINIMUM THICK.
- ⑥ GOLD PLATE PER MIL-G-45204, 1.27µm [.000050] MINIMUM THICK.
- ⑦ INTERFACE PER MIL-C-39012.
- ⑧ POLYMETHYLPENTENE, GENERAL PURPOSE



PCB CONFIGURATION

OBSOLETE	3.33 [.131]	④	⑤	5413631-5
	3.33 [.131]	④	⑧	5413631-3
	4.34 [.171]	⑤	③	5413631-2
	4.34 [.171]	④	⑧	5413631-1
	A	FINISH: SHELL	MATERIAL: DIELECTRIC, FRONT	PART NUMBER

THIS DRAWING IS A CONTROLLED DOCUMENT.		DWN	B.MCMASTER	03JAN05	 TE Connectivity
DIMENSIONS: INCHES		CHK	J.LIPPERT	03JAN05	
TOLERANCES UNLESS OTHERWISE SPECIFIED:		APVD	J.LIPPERT	03JAN05	
0 PLC ± - 1 PLC ± - 2 PLC ± 0.08 [.003] 3 PLC ± - 4 PLC ± - ANGLES ± -		PRODUCT SPEC		NAME	
MATERIAL SEE NOTES 1-3		FINISH SEE NOTES 4-6		APPLICATION SPEC	
		WEIGHT -		SIZE A2	
		CUSTOMER DRAWING		CAGE CODE 00779	
				DRAWING NO C=5413631	
				RESTRICTED TO -	
				SCALE 4:1 SHEET 1 of 1 REV C	