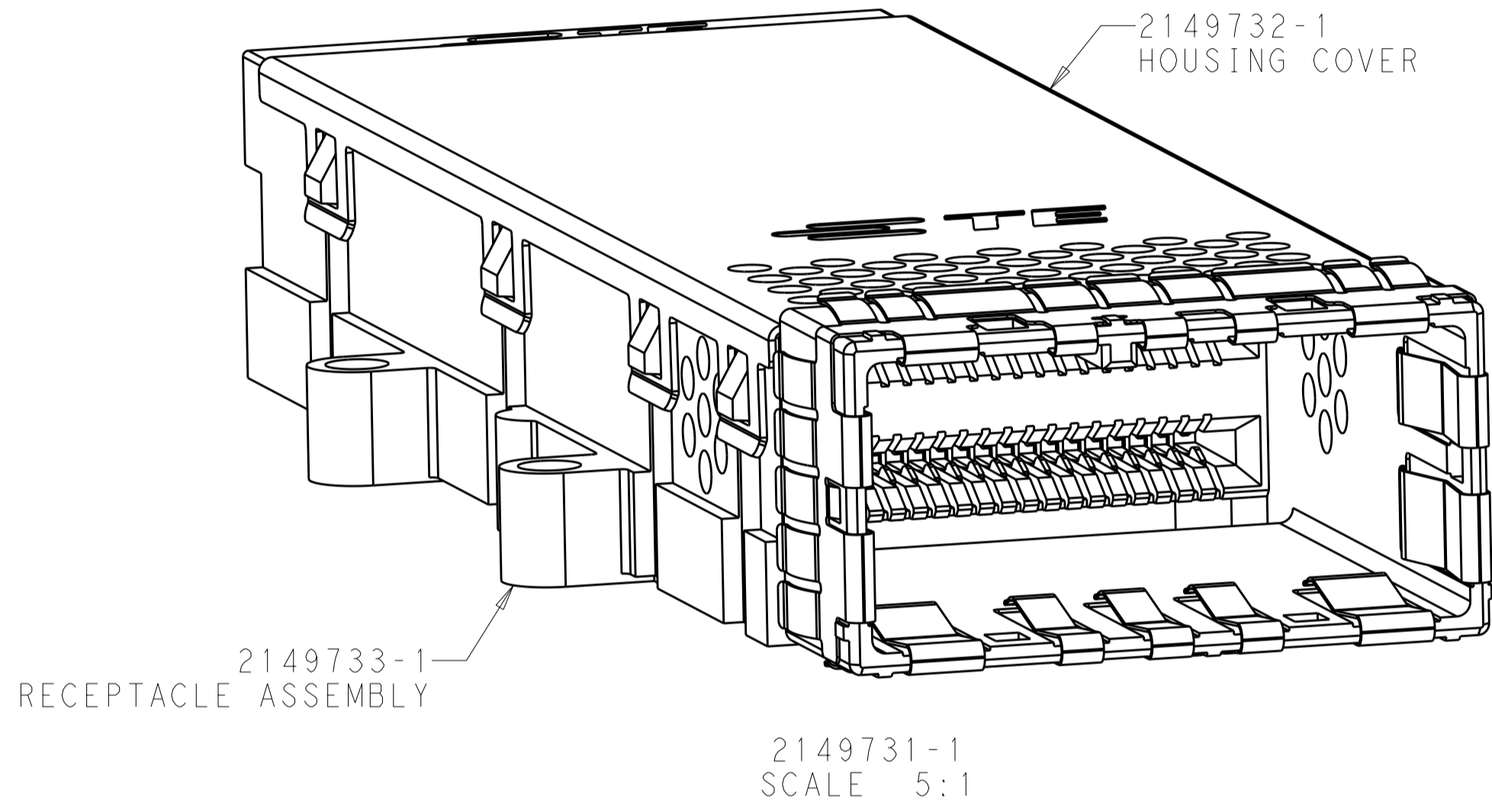


THIS DRAWING IS UNPUBLISHED. RELEASED FOR PUBLICATION 20  
 © COPYRIGHT 20 BY - ALL RIGHTS RESERVED.

LOC	DIST	REVISIONS			
P	LTR	DESCRIPTION	DATE	DWN	APVD
GP	00	8	REVISED	21OCT2011	MEC MDM

1. PARTS PACKAGED UNASSEMBLED
2. PCB THICKNESS = 1.44 MIN
3. THE ENTIRE AREA OF THE CONNECTOR FOOTPRINT, INDICATED BY CROSSHATCHING, TO BE CONSIDERED THE KEEPOUT AREA FOR COMPONENTS AND SIGNAL TRACES, TOP SIDE ONLY, TOP SIDE TRACES ALLOWED WITHIN CONNECTOR HOLE PATTERN, CROSSHATCHING TO BE CONDUCTIVE
4. MOUNTING HARDWARE REQUIRED:  
M2X0.4 (4): MOUNTING SCREW LENGTH = BOARD THICKNESS + 8mm MAX
5. FEATURES IN PHANTOM LINES ARE RELATED TO USE WITH CONNECTOR, PN 2149699-X AND GANGED SIDE BY SIDE APPLICATION
6. MATERIALS:  
HOUSING - NICKEL PLATED ZINC ALLOY PER ASTM B 240  
RECEPTACLE HOUSING - LCP, BLACK, UL 94V-0 RATED  
CHICKLET - LCP, BLACK, UL 94V-0 RATED  
CONTACT - PHOSPHOR BRONZE PER ASTM B 103  
EMI SPRING - COPPER ALLOY
7. CONTACT FINISH:  
CONFORMS TO THE REQUIREMENTS OF TYCO ELECTRONICS PRODUCT SPECIFICATION 108-2426, BASED ON EIA/ECA-364-1000.01A, (CONTROLLED ENVIRONMENT APPLICATIONS) ON MATING INTERFACE, TIN ON NEEDLE EYE
8. NOTE DELETED



<b>OBSELETE</b>	2149733-2	8	84 POSITION RECEPTACLE ASSEMBLY WITH COVER	2149731-2
	2149733-1	7	84 POSITION RECEPTACLE ASSEMBLY WITH COVER	2149731-1
	84 POSITION RECEPTACLE ASSEMBLY	FINISH	DESCRIPTION	PART NUMBER

PRELIMINARY PART- NOT RELEASED FOR PRODUCTION

THIS DRAWING IS A CONTROLLED DOCUMENT.

DIMENSIONS:	TOLERANCES UNLESS OTHERWISE SPECIFIED:	DWN	22SEP2010
mm	0 PLC ±0.2	CHK	M.E. COWHER
	1 PLC ±0.1	CHK	M.D. MORRISON
	2 PLC ±0.05	APVD	M.D. MORRISON
	3 PLC ±	APVD	M.D. MORRISON
	4 PLC ±	PRODUCT SPEC	
	ANGLES ±1°	APPLICATION SPEC	
MATERIAL	FINISH	WEIGHT	

STE TE Connectivity

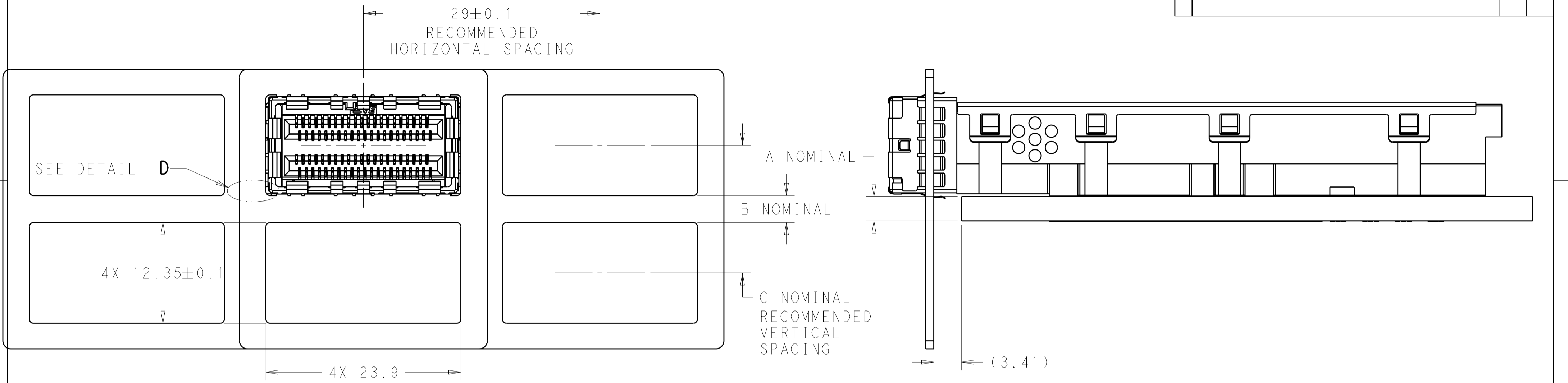
RECEPTACLE ASSEMBLY WITH COVER, BELLY-BELLY, EXTENDED, 84 POSITION, CXP

SIZE	CAGE CODE	DRAWING NO	RESTRICTED TO
A2	00779	2149731	

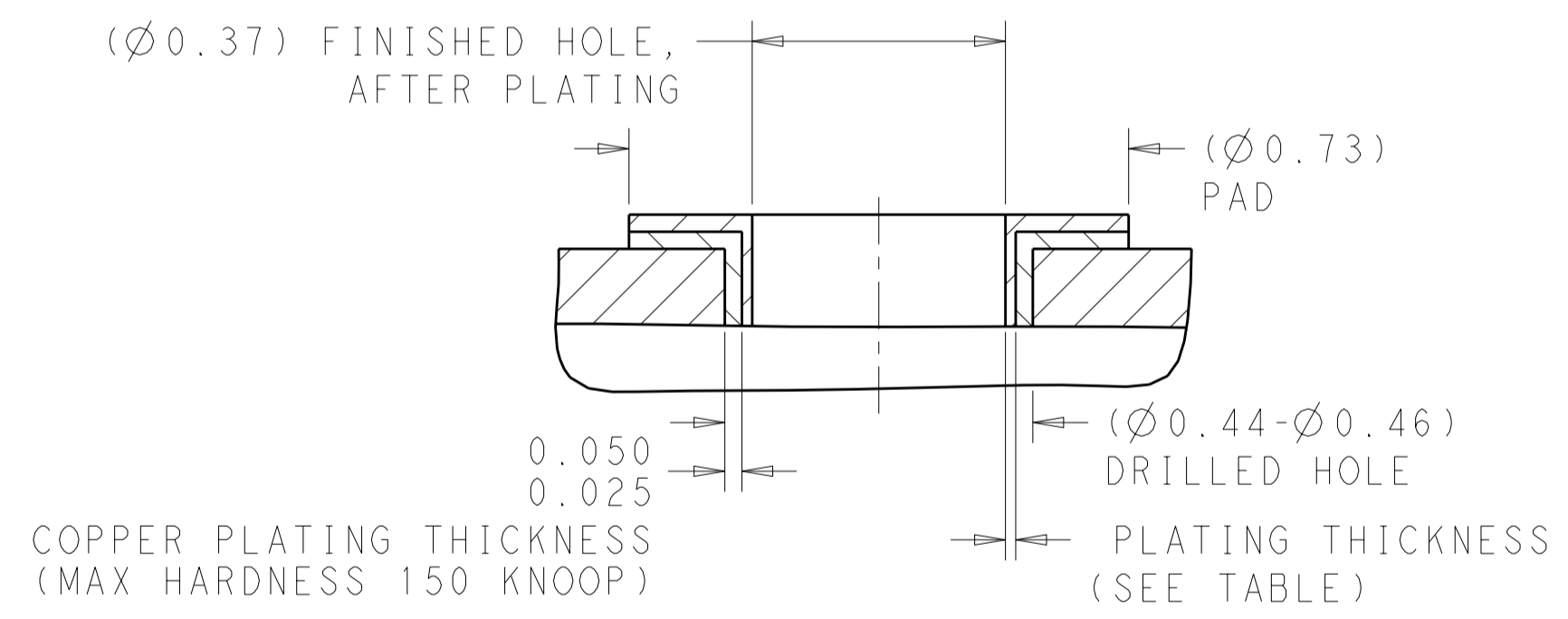
CUSTOMER DRAWING SCALE 1:1 SHEET 1 OF 3 REV 8

THIS DRAWING IS UNPUBLISHED. RELEASED FOR PUBLICATION 20  
 © COPYRIGHT 20 BY - ALL RIGHTS RESERVED.

LOC	DIST	REVISIONS			
P	LTR	DESCRIPTION	DATE	DWN	APVD
GP	00	-	SEE SHEET 1	-	-

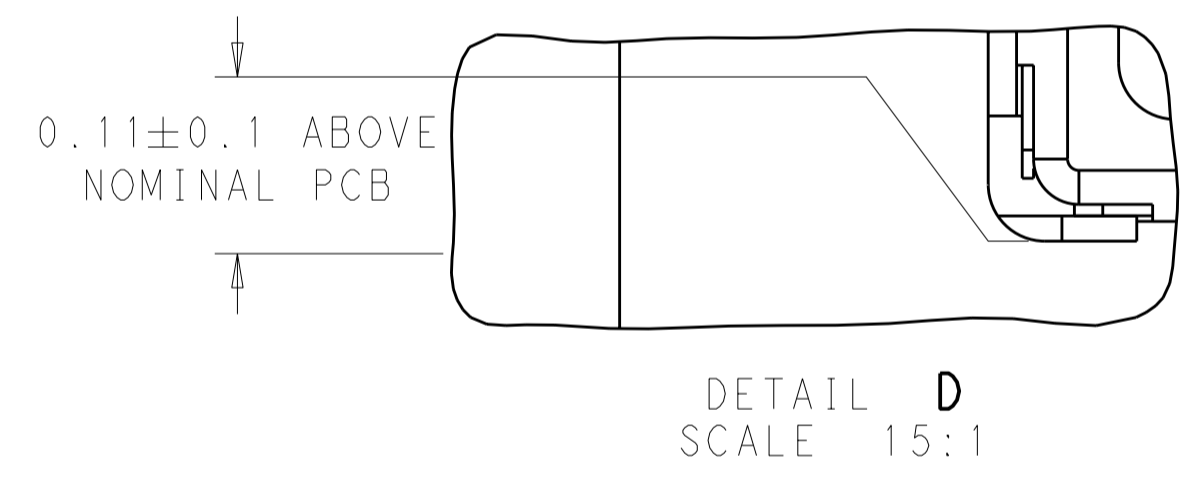


RECOMMEND BRACKET LAYOUT SCALE 3:1



RECOMMENDED HOLE DIMENSIONS FOR SIGNAL CONTACTS SCALE 100:1

PLATING THICKNESS	TYPE OF PLATING
0.004-0.01	HOT AIR SOLDER LEVELING (HASL) TIN-LEAD
0.0005-0.002	IMMERSION TIN
0.0002-0.0005	ORGANIC SOLDERABILITY PRESERVATIVE (OSP)
0.0001-0.0005 Au, 0.004-0.0076 Ni	IMMERSION GOLD OVER NICKEL (ENIG)
0.0001-0.0005	IMMERSION SILVER



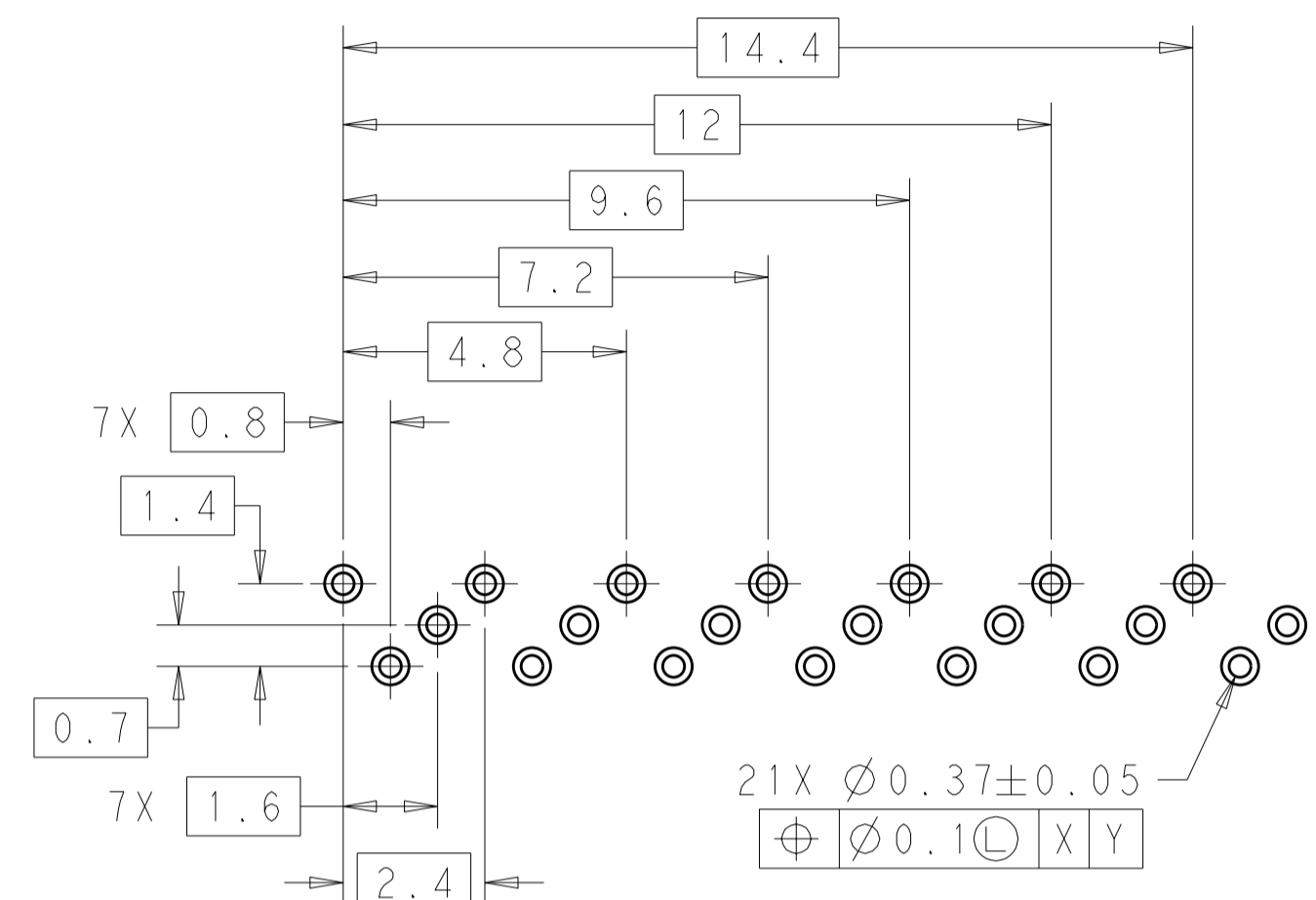
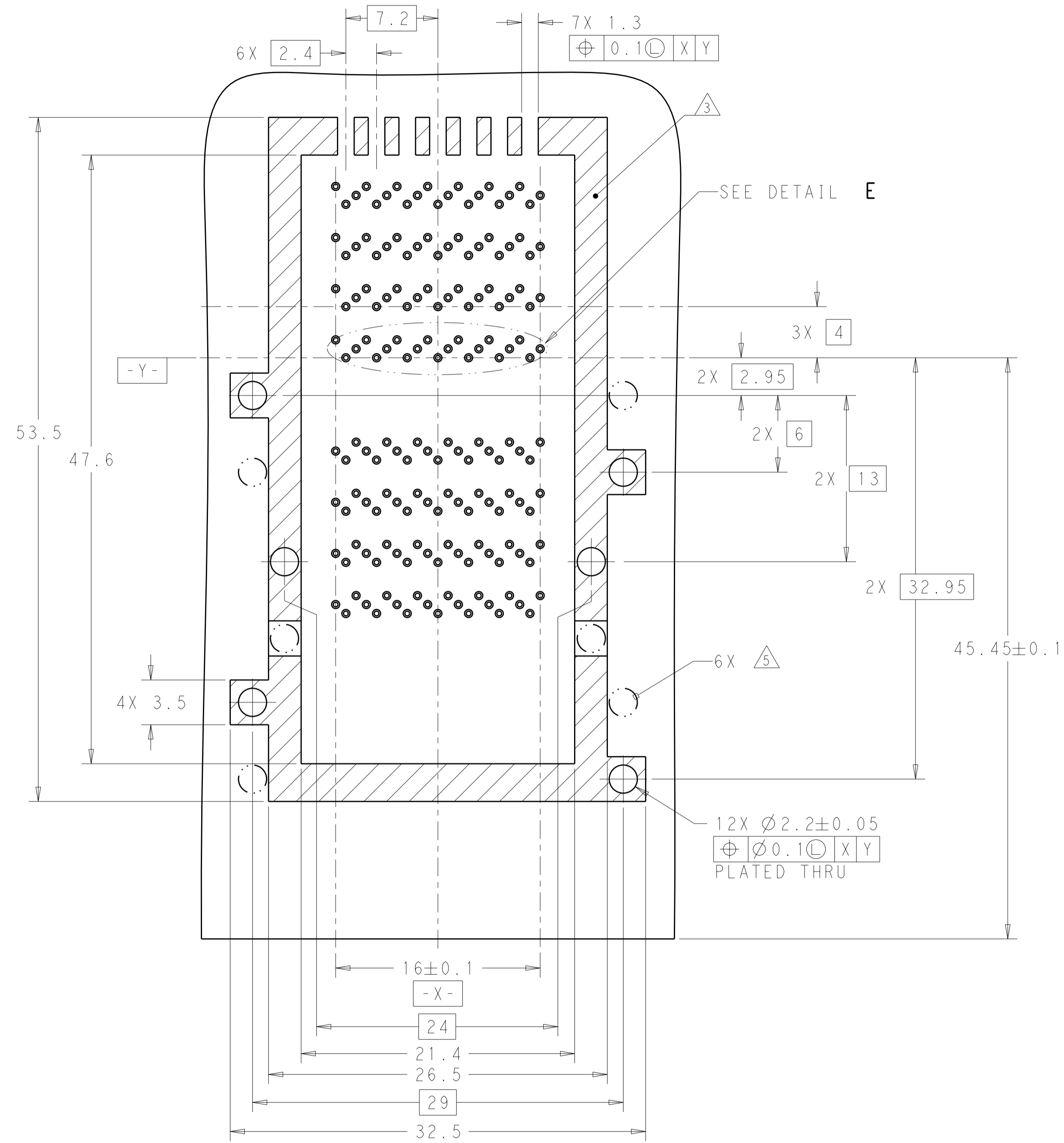
PRELIMINARY PART- NOT RELEASED FOR PRODUCTION

12.57+A	0.22+A	PCB THICKNESS
C	B	A

THIS DRAWING IS A CONTROLLED DOCUMENT.		DWN M.E. COWHER 22SEP2010	TE Connectivity
DIMENSIONS: mm		CHK M.D. MORRISON 22SEP2010	
TOLERANCES UNLESS OTHERWISE SPECIFIED:		APVD M.D. MORRISON 22SEP2010	
0 PLC ±0.2 1 PLC ±0.1 2 PLC ±0.05 3 PLC ± 4 PLC ± ANGLES ±1° FINISH		PRODUCT SPEC - APPLICATION SPEC - WEIGHT - CUSTOMER DRAWING	
NAME RECEPTACLE ASSEMBLY WITH COVER, BELLY-BELLY, EXTENDED, 84 POSITION, CXP			RESTRICTED TO
SIZE A2 CAGE CODE 00779 DRAWING NO C-2149731			
SCALE 1:1			SHEET 2 OF 3 REV 8

THIS DRAWING IS UNPUBLISHED. RELEASED FOR PUBLICATION 20  
 © COPYRIGHT 20 BY - ALL RIGHTS RESERVED.

LOC	DIST	REVISIONS			
P	LTR	DESCRIPTION	DATE	DWN	APVD
GP	00	SEE SHEET 1			



DETAIL E  
 4X INDIVIDUALLY  
 SCALE 8:1

RECOMMENDED PCB LAYOUT  
 COMPONENT SIDE SHOWN  
 SCALE 4:1

PRELIMINARY PART- NOT RELEASED FOR PRODUCTION

THIS DRAWING IS A CONTROLLED DOCUMENT.		DWN M.E. COWHER 22SEP2010	TE Connectivity	
DIMENSIONS: mm		CHK M.D. MORRISON 22SEP2010		
TOLERANCES UNLESS OTHERWISE SPECIFIED:		APVD M.D. MORRISON 22SEP2010	NAME RECEPTACLE ASSEMBLY WITH COVER, BELLY-BELLY, EXTENDED, 84 POSITION, CXP	
0 PLC ±0.2 1 PLC ±0.1 2 PLC ±0.05 3 PLC ± 4 PLC ±		PRODUCT SPEC -	SIZE A200779	
ANGLES FINISH		APPLICATION SPEC -	DRAWING NO C=2149731	
MATERIAL -		WEIGHT -	RESTRICTED TO -	
CUSTOMER DRAWING		SCALE 1:1	SHEET 3 OF 3 REV 8	