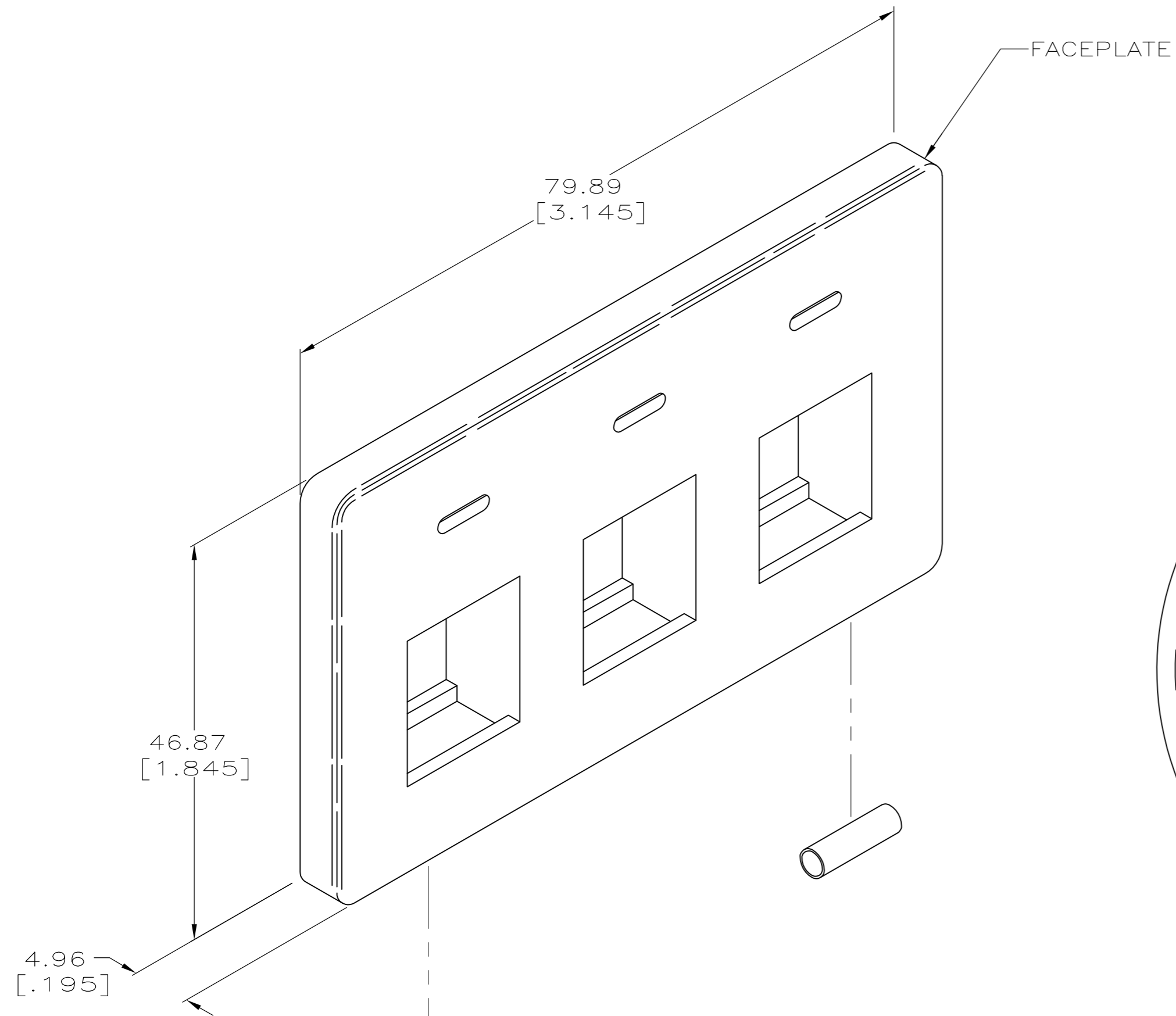
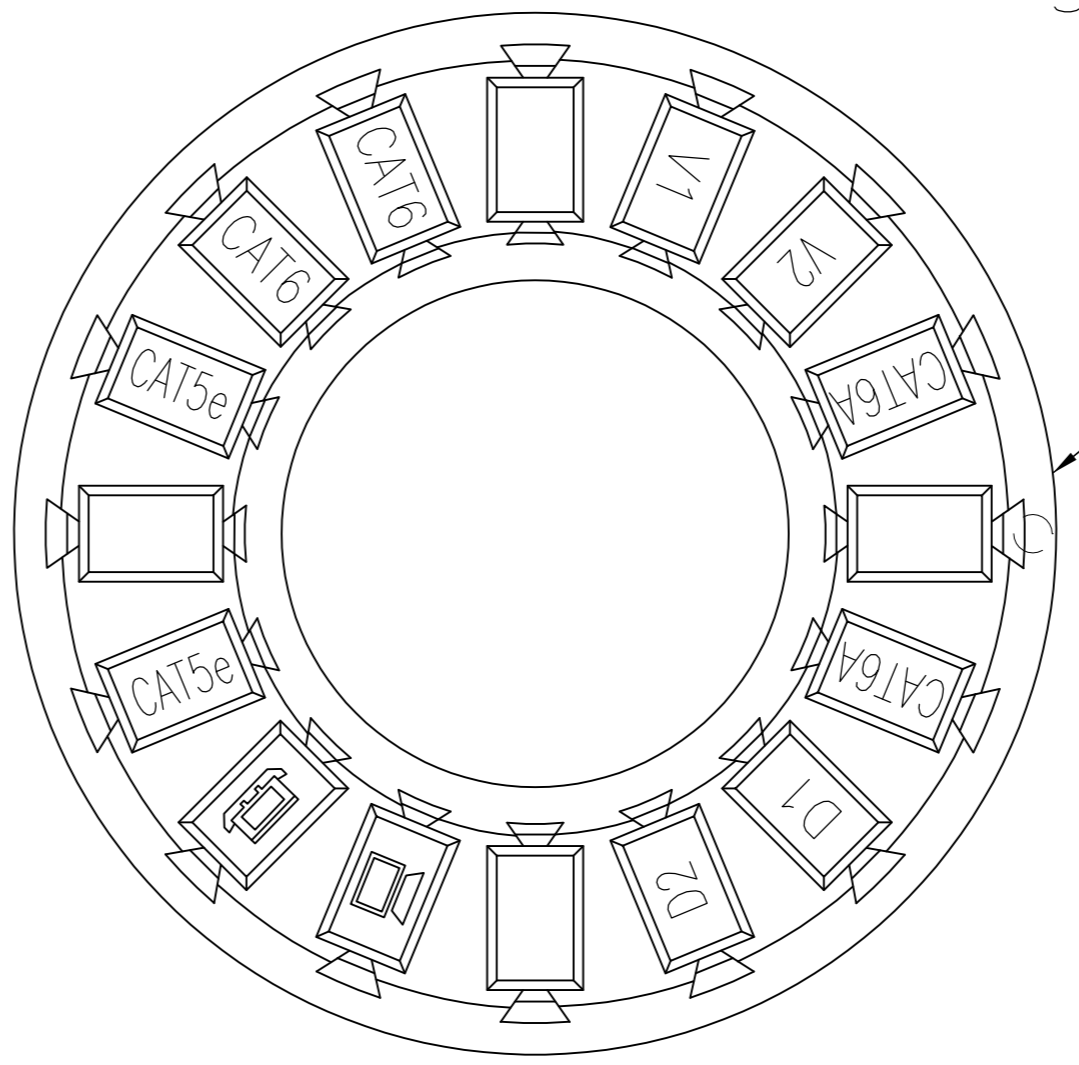


THIS DRAWING IS UNPUBLISHED. RELEASED FOR PUBLICATION
 © COPYRIGHT - By - ALL RIGHTS RESERVED.

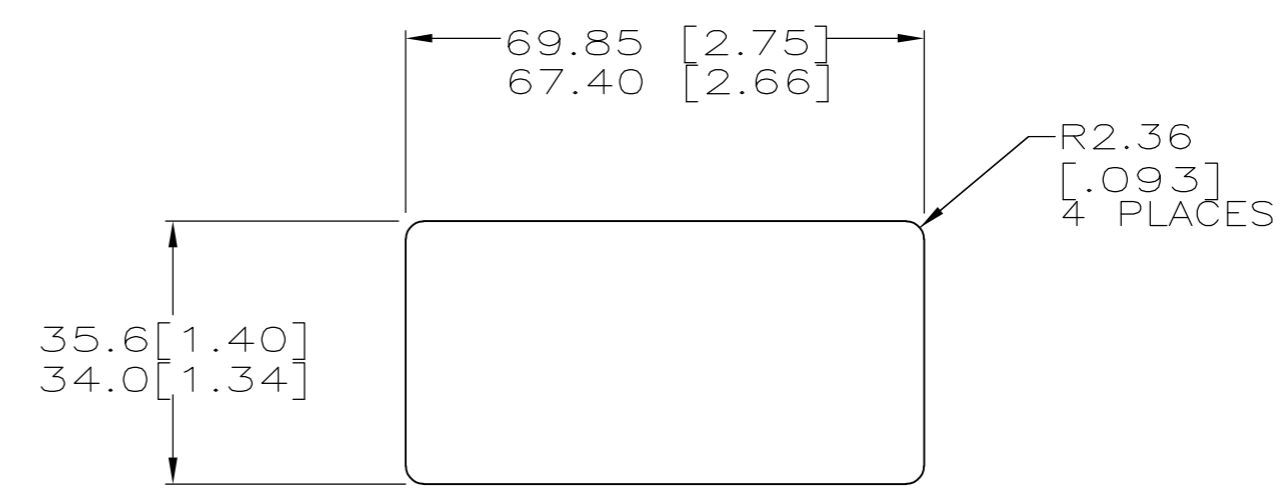
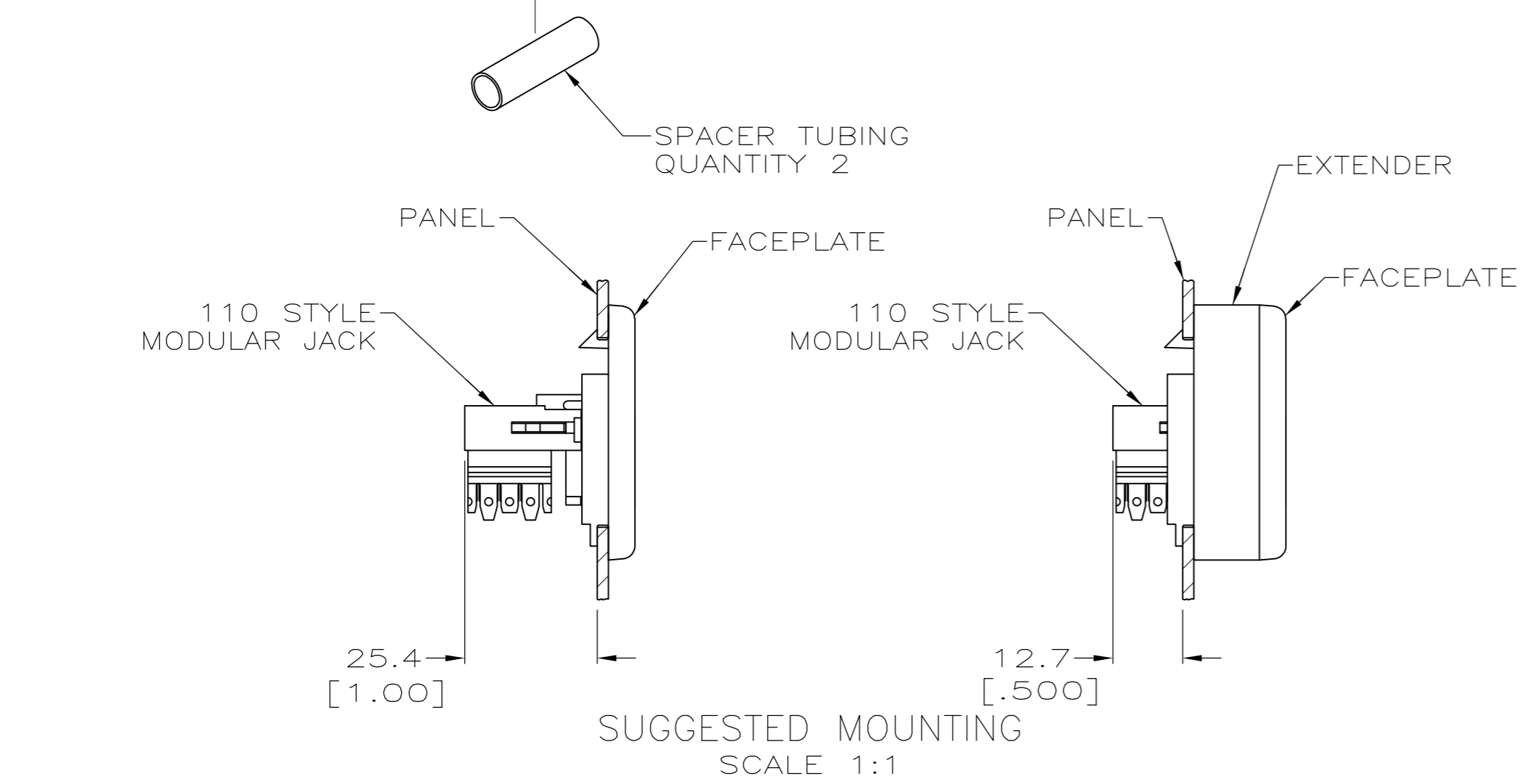
| LOC | | DIST | | REVISIONS | | | |
|-----|-----|-------------|---------------------------|-----------|-----|------|--|
| P | LTR | DESCRIPTION | | DATE | DWN | APVD | |
| HM | 00 | G | ADD -3, REV ECO-11-017769 | 31AUG2011 | LH | RA | |



- 1 MATERIAL: FACEPLATE - POLYCARBONATE MOLDING COMPOUND, SEE TABLE FOR COLORS.
 ICON - ABS MOLDING COMPOUND, BLACK.
 SPACER TUBE - POLYOLEFIN, BLACK.
- 2 DIMENSIONS ARE MAXIMUM UNLESS OTHERWISE SPECIFIED.
- 3. THE FACEPLATE CAN BE INSTALLED INTO PANELS WHICH ARE 2.03[.080] TO 1.14[.045] THICK.



ICON WHEEL
 VOICE, DATA
 CATEGORY
 QUANTITY 1



RECOMMENDED PANEL CUTOUT

| COLOR | PART NUMBER |
|----------------|-------------|
| ELECTRIC IVORY | 1-558107-1 |
| NEMA GRAY | 558107-4 |
| WHITE | 558107-3 |
| LIGHT ALMOND | 558107-2 |
| BLACK | 558107-1 |

| | | | | | |
|---|--|------------------|-----------|---|--------------|
| THIS DRAWING IS A CONTROLLED DOCUMENT. | | DWN | L. HALL | 22NOV2005 | |
| DIMENSIONS: mm [INCHES] | | CHK | G. BOWMAN | 23NOV2005 | |
| TOLERANCES UNLESS OTHERWISE SPECIFIED: | | APVD | G. BOWMAN | 23NOV2005 | |
| 0 PLC ± - 1 PLC ± - 2 PLC ± - 3 PLC ± - 4 PLC ± - ANGLES ± - | | PRODUCT SPEC | NAME | | |
| MATERIAL | | APPLICATION SPEC | | FACEPLATE KIT, 3 PORT, 110CONNECT, FLUSH MOUNT, FLEX MODE | |
| FINISH | | 408-3317 | | SIZE | A2 |
| 1 | | WEIGHT | | CAGE CODE | 00779 |
| | | CUSTOMER DRAWING | | DRAWING NO | C=558107 |
| | | SCALE | | 2:1 | SHEET 1 of 1 |
| | | | | REV | G |