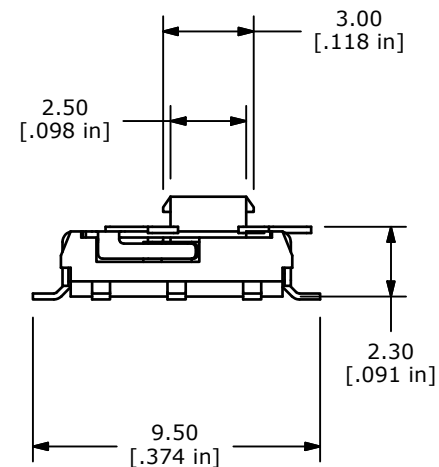
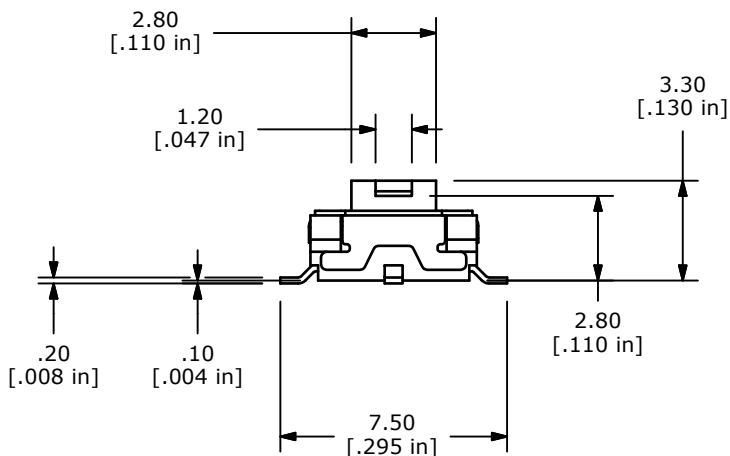


▲ CIRCUIT DIAGRAM ON - ON SINGLE COLOR LED



- NOTES:
1. ALL DIMENSIONS IN MM [INCH]
 2. TERMINAL NUMBERS FOR REF. ONLY
 3. TOLERANCE: X.X±0.4
X.XX±0.25
 4. RATING: 0.3A @ 6VDC
 5. TRAVEL: 2.0 ±0.2
 6. OPERATING FORCE: 200± 150gF
 7. ELECTRICAL LIFE: 10,000 CYCLES MIN.
 8. CONTACT RESISTANCE: 50mΩ MAX.
 9. INSULATION RESISTANCE: 100MΩ AT 500 VDC
 10. DIELECTRIC STRENGTH: 500VAC
 11. OPERATING TEMPERATURE: -40C to +85C
 12. ▲DENOTES CRITICAL PARAMETER
 13. 2002/95/EC (ROHS) COMPLIANT

▲ LED SPECS	UNITS	WHITE
FORWARD CURRENT	mA	20
FORWARD VOLTAGE @ 20mA	V	3.3 typ.- 4.0 max.
LUMINOUS INTENSITY @ 20mA	mcd	200 typ.



TITLE EGL2290W

A	22349	New Release	6/10/2016	rc
REV	PCR NO	DESCRIPTION	DATE	BY

SCALE	DATE	DR	DWG	REV
4:1	6/3/2016	rc	B300004	A

THE INFORMATION CONTAINED IN THIS DOCUMENT IS PROPRIETARY TO E-SWITCH AND IS NOT TO BE COPIED OR TRANSFERRED