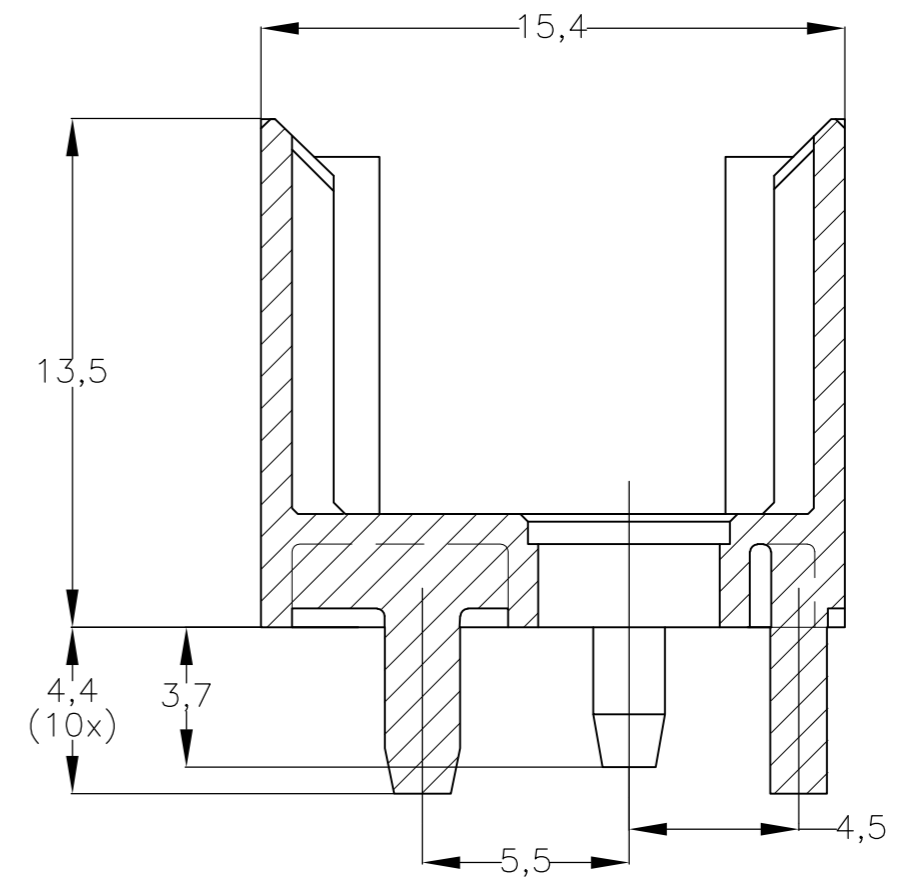
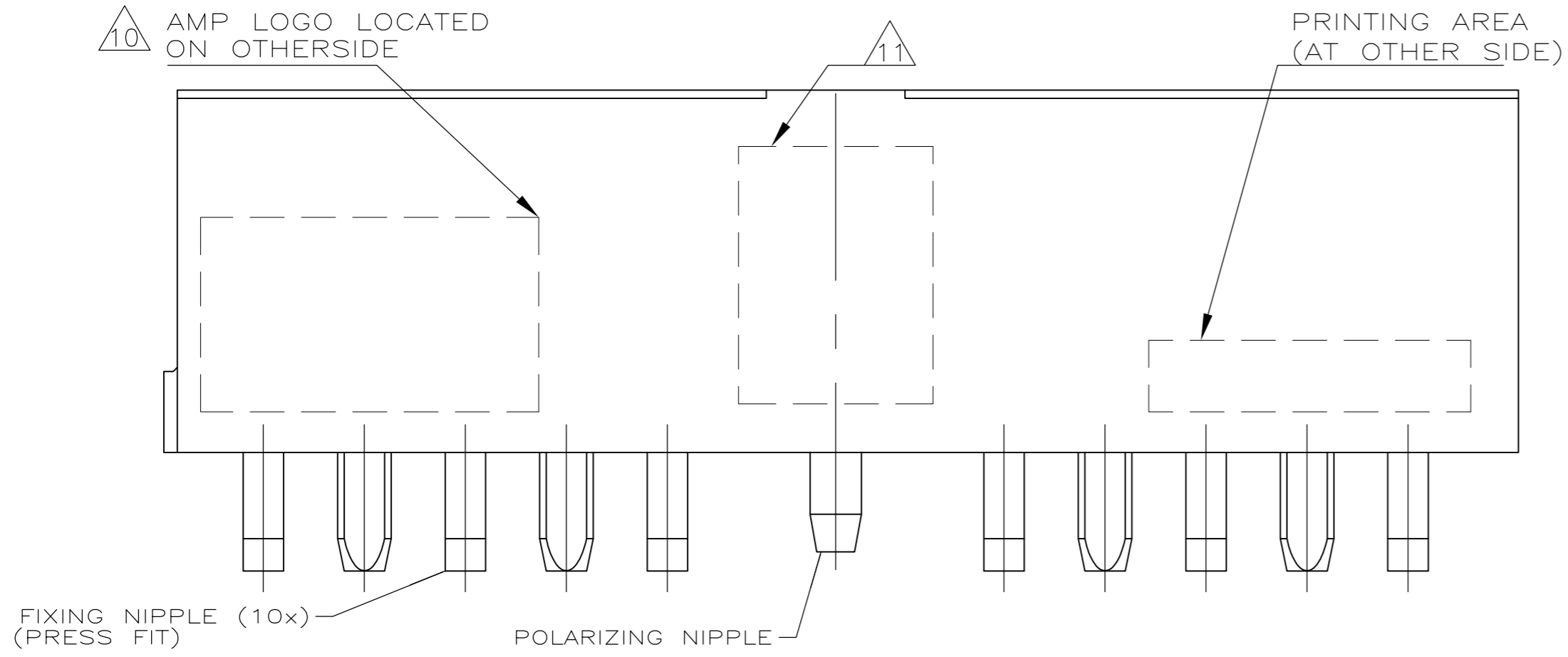
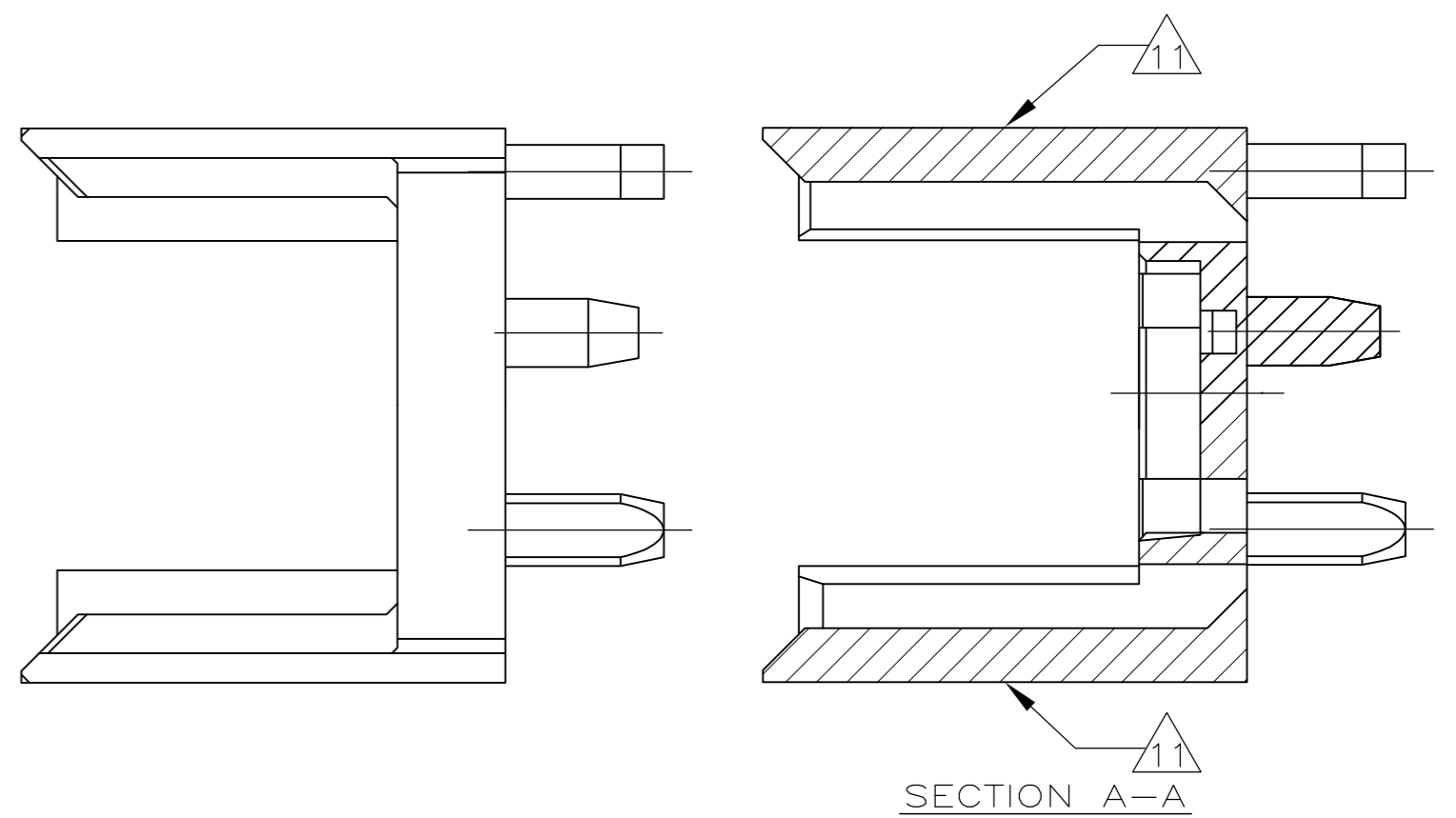
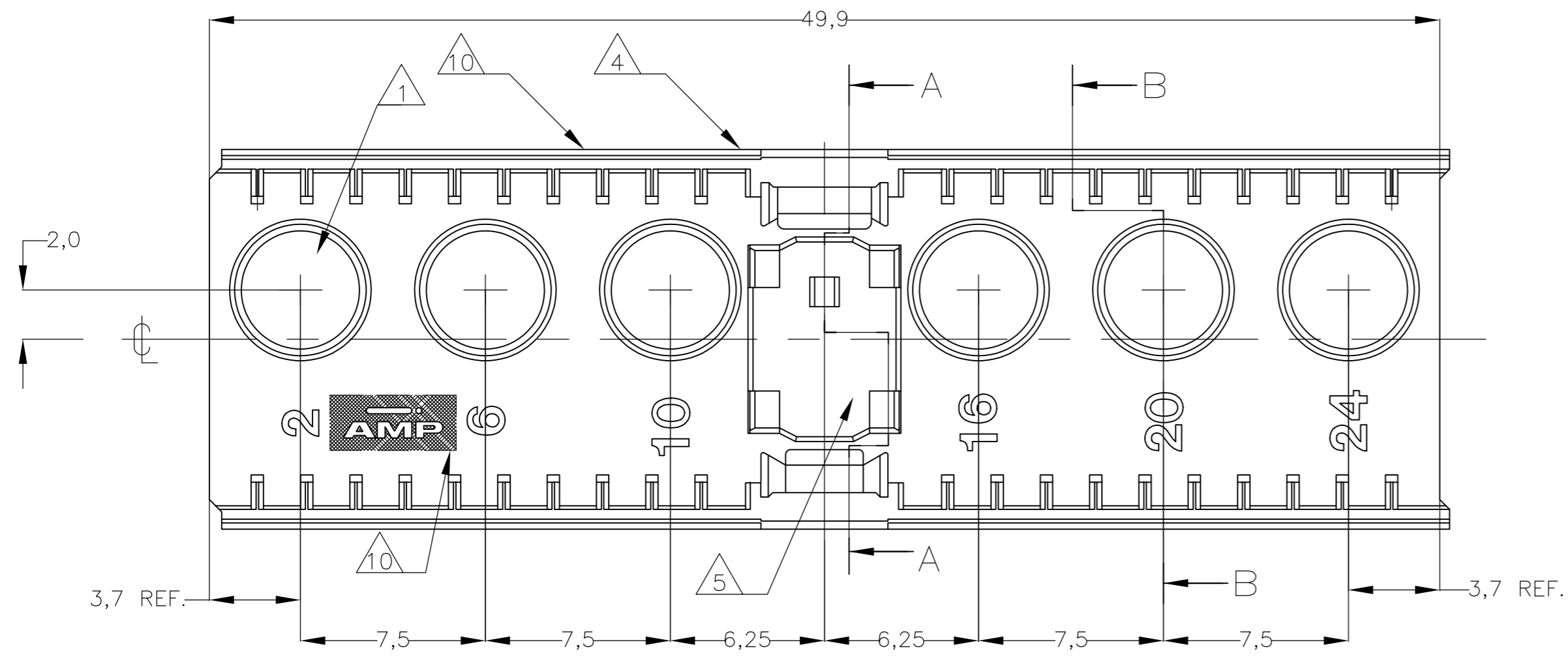
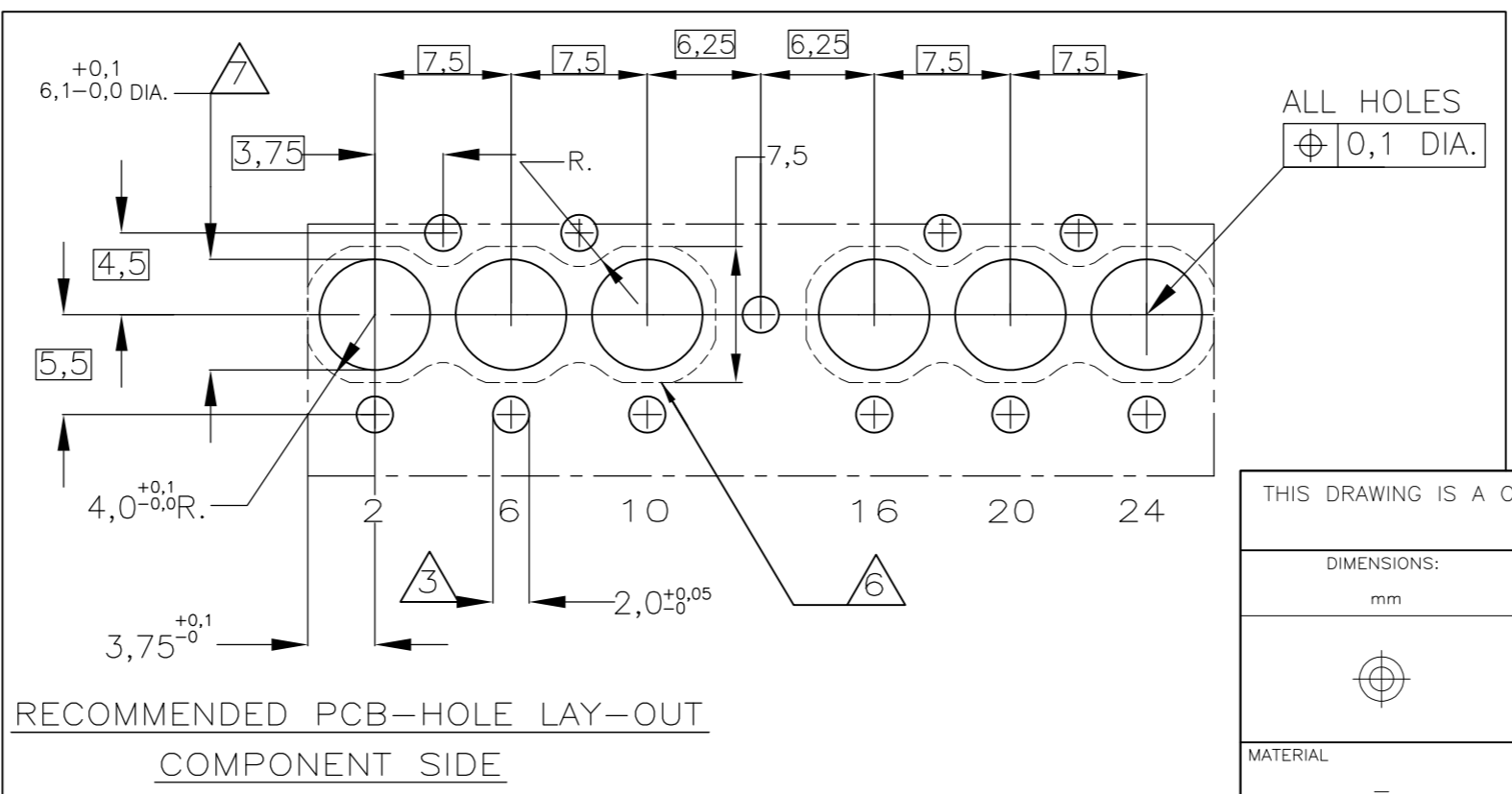


THIS DRAWING IS UNPUBLISHED. RELEASED FOR PUBLICATION
 © COPYRIGHT BY TYCO ELECTRONICS CORPORATION. ALL RIGHTS RESERVED.

LOC		DIST		REVISIONS			
P	LTR	DESCRIPTION		DATE	DWN	APVD	
H	-	F		REVISED PER ECO-11-003652	20FEB11	RC	CW



- NOTES:
- 1 CONTACT CAVITIES SUITABLE FOR 4.8 DIA. HIGH CURRENT HIGH FREQUENCY OR FIBRE OPTIC CONTACTS AS PER DIN 41626 {SEE ALSO NOTE 6 AND 7}.
 - 2 MATERIAL HOUSING : GREW GLASSFILLED POLYESTER.
 - 3 NOT PLATED-THROUGH HOLES (11x).
 - 4 CONNECTOR PRINTED WITH PARTNUMBER AND (OPTIONAL) DATECODE.
 - 5 AREA RESERVED FOR KEYING PART, BASIC P/N 100525.
 - 6 PATTERN FOR FIBRE OPTIC CONTACTS.
 - 7 NOT PLATED-THROUGH HOLES: TO BE REPLACED BY 5.9^{+0.1} DIA. PLATED-THROUGH HOLES IF STRAIGHT SOLDER CONTACTS ARE APPLIED.
 - 8 PACKED IN TUBES
 - 9 PACKED IN BULK
 - 10 AMP LOGO EITHER SHOWN IN FLOOR OR SIDE OF HOUSING.
 - 11 VOID CORNING MAY BE PRESENT IN THESE LOCATIONS.



THIS DRAWING IS A CONTROLLED DOCUMENT.

DIMENSIONS:	TOLERANCES UNLESS OTHERWISE SPECIFIED:
mm	0-PLC ±
	1-PLC ±
	2-PLC ± ±0.2
	3-PLC ±
	4-PLC ±
	ANGLES ±
MATERIAL	FINISH
-	-

FINISH	MATERIAL	PARTNUMBER
-	8 100745-3	9 100745-1
DWN S. MEEUWSEN 13 MAR 92 CHK B. MOOIJ 23 MAR 92 APVD L. v. SOEST 13 APR 92 Tyco Electronics Tyco Electronics Corporation 's-Hertogenbosch, 5222AR-32 NAME Z-PACK 2mm HM TYPE L MALE CONNECTOR HOUSING SIZE A2 CAGE CODE 00779 DRAWING NO C=100745 RESTRICTED TO WEIGHT - SCALE - SHEET 1 OF 1 REV F CUSTOMER DRAWING		