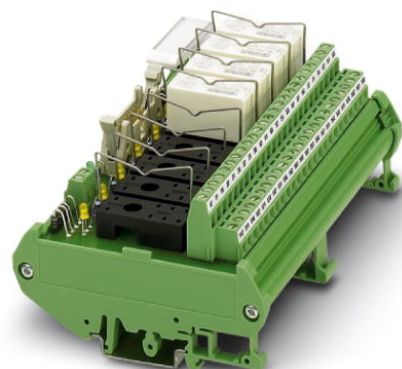


UMK- 8 RELS/KSR-G24/21-21/PLC

Order No.: 2976187



<http://eshop.phoenixcontact.de/phoenix/treeViewClick.do?UID=2976187>

VARIOFACE output module, with plug-in bases for 8 miniature relays, with 2 PDTs each (without relays), for 24 V DC



Commercial data

EAN	4017918089245
Pack	1 pcs.
Customs tariff	85364190
Weight/Piece	0.2507 KG
Catalog page information	Page 252 (IF-2009)

Product notes

WEEE/RoHS-compliant since:
09/20/2006



<http://www.download.phoenixcontact.com>
Please note that the data given here has been taken from the online catalog. For comprehensive information and data, please refer to the user documentation. The General Terms and Conditions of Use apply to Internet downloads.

Technical data

Input data

Nominal input voltage U_N	24 V DC
Name of protection	Free-wheeling diode
Protective circuit/component	Damping diode
Operating voltage display	LED green

Status display/channel	Yellow LED
Output data	
Contact type	2 PDT
Maximum switching voltage	250 V AC/DC
Limiting continuous current	3 A
Error detection (line break / short circuit)	no
General data	
No. of channels	8
Compatible components	Miniature relay, REL-MR- 24DC/21-21
With components	No
Width	135 mm
Height	68 mm
Depth	90 mm
Ambient temperature (operation)	-20 °C ... 50 °C
Ambient temperature (storage/transport)	-20 °C ... 70 °C
Test voltage	2.5 kV AC
Test voltage relay winding/relay contact	2.5 kV AC
Standards/regulations	IEC 60664
	DIN EN 50178
	IEC 62103
Mounting position	Any
Assembly instructions	In rows with zero spacing
Pollution degree	2
Surge voltage category	III
Housing insulation material	PVC, side panel PA non-reinforced,
Color	green
Connection data	
Connection 1	Input
Type of connection	Flat-ribbon cable plug connector in acc. with IEC 60603-13
Number of positions	14
Connection 2	Output
Type of connection	Screw connection
Number of positions	6
Conductor cross section solid min.	0.14 mm ²

Conductor cross section solid max.	1.5 mm ²
Conductor cross section stranded min.	0.14 mm ²
Conductor cross section stranded max.	1.5 mm ²
Conductor cross section AWG/kcmil min.	26
Conductor cross section AWG/kcmil max	14
Screw thread	M3
Stripping length	6 mm

Certificates / Approvals

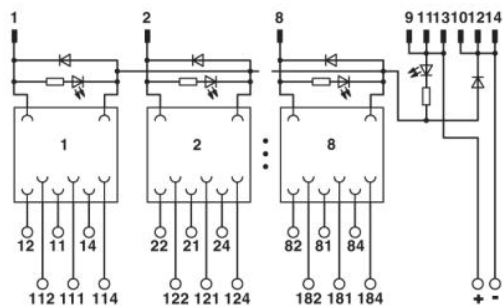


Certification

GOST

Diagrams/Drawings

Circuit diagram



Address

PHOENIX CONTACT Deutschland GmbH
Flachmarktstr. 8
32825 Blomberg, Germany
Phone +49 5235 3 12000
Fax +49 5235 3 41200
<http://www.phoenixcontact.de>



© 2010 Phoenix Contact
Technical modifications reserved;