



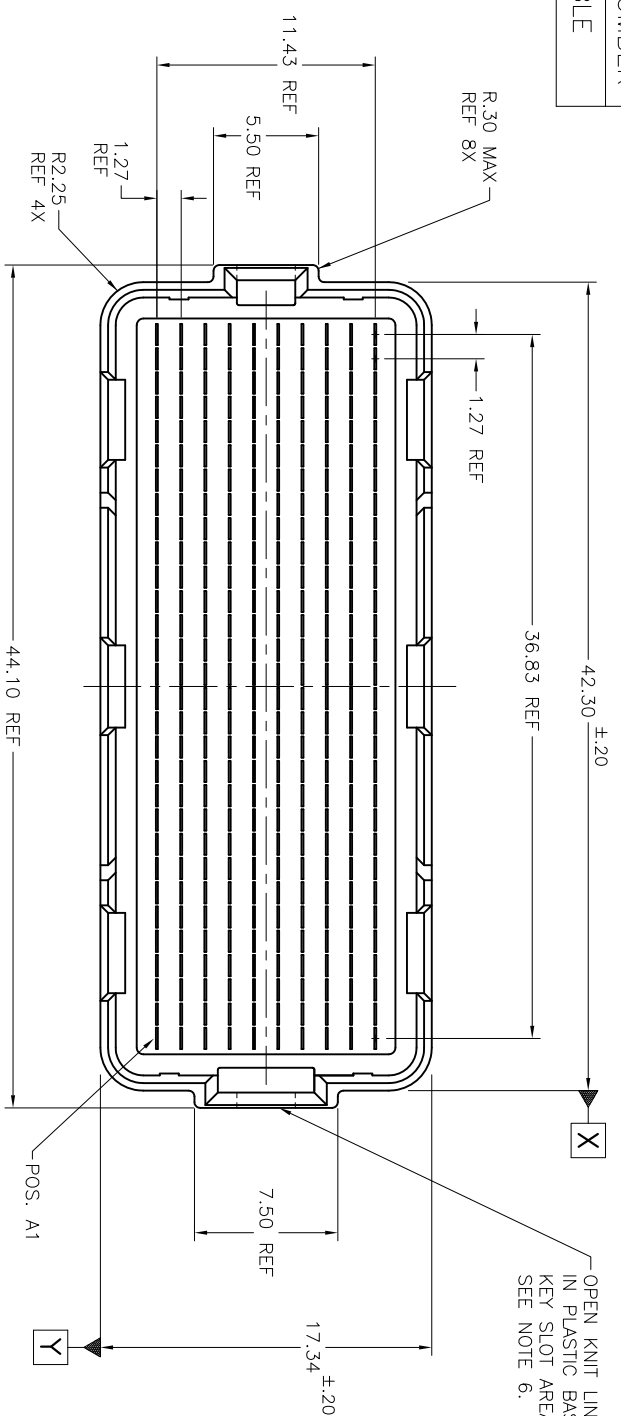
Copyright FD



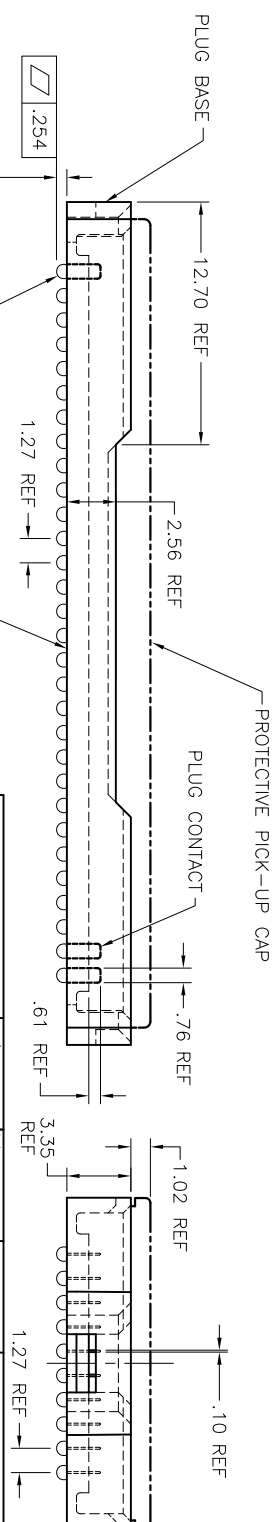
FCIconnect.com



PRODUCT NUMBER
SEE TABLE



OPEN KNIT LINES PERMISSIBLE IN PLASTIC BASE COMPONENT KEY SLOT AREAS (BOTH ENDS). SEE NOTE 6.



CONTINUOUS OPEN KNIT LINE CRACKS (TRAVERSING THE ENTIRE BODY LENGTH OF THE CONNECTOR) WHICH CAUSE CRITICAL-TO-FUNCTION DIMENSIONAL CHANGES THAT AFFECT THE CONNECTORS MECHANICAL ALIGNMENT FEATURES ARE NOT PERMISSIBLE. SEE NOTE 6.

NOTE 2
Ø.760 SOLDER BALLS
Ø.30 X Y

Mat'l code	SEE NOTE 1	date	surface	tolerance	projection	product family	title
lfr	ecm no.	dfr	ASPE Y14.5	ASPE Y14.5	ASPE Y14.5	MEG-ARRAY	Omm PLUG ASSEMBLY
k	Y06-0560	lp	2006-07-14	angles	X.3		10 X 30 = 300 POSITIONS
l	V11-0029	HTB	2011-06-06	g	XXX.13		Sheet 1 of 5
m	V12-0030	SJ	2012-08-06	or ±.2"	XXX.051		84500
n	V12-0036	DCH	2012-11-13	D.	WALUGHEN		A4
p	V-18084	DCH	2014-6-25	D.	HARPER		CUSTOMER Drawing
r	V-21139	RWB	2015-06-12	D.	HARPER		
revision	R			D.	HARPER		
sheet	1	2	3	4	5		
index							

form: A4mmXLC 1 2 3 4



Copyright FCJ



FCJconnect.com

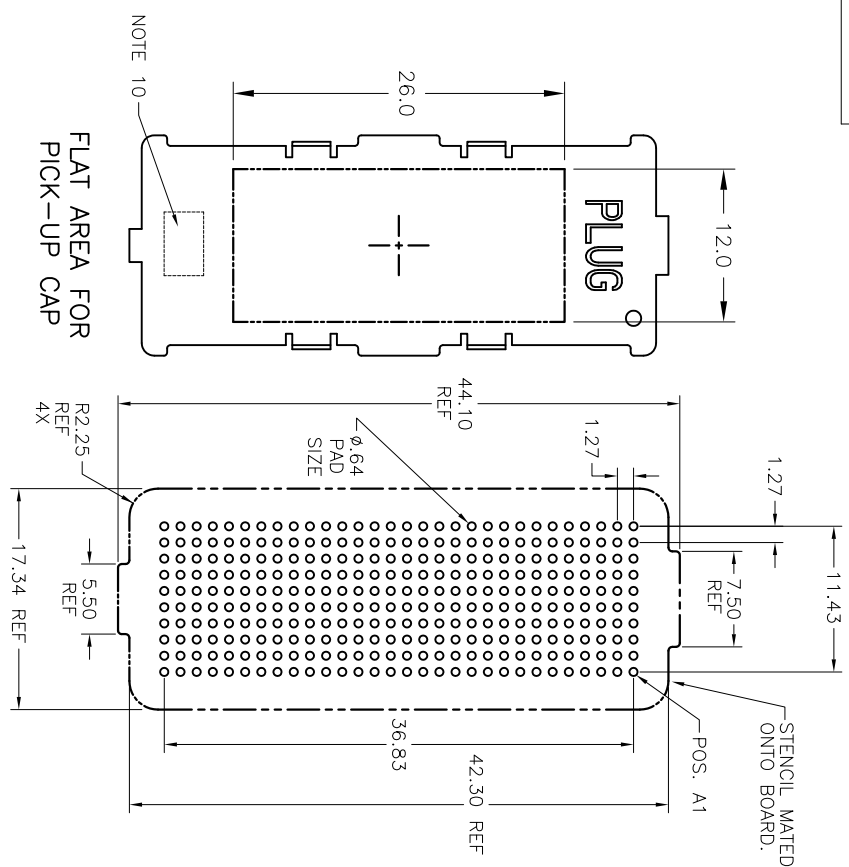


PRODUCT NUMBER
SEE TABLE

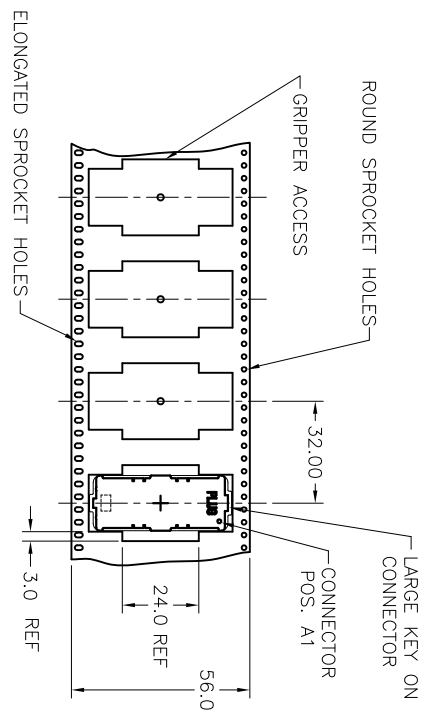
1 | 2

3 |

4



BOARD PATTERN



TAPE & REEL PACKAGING SCALE: NONE
PER EIA 481-3

mat'l code	SEE NOTE 1	surface	ASME Y14.5	tolerance	ASME Y14.5	projection	product family
ltr	ecm no	dr	date	ASME Y14.5	tolerances unless otherwise specified	MM	MEG-ARRAY
R			angles	3x3	Scale: 2:1		title
			dr	XXXX.051			0mm PLUG ASSEMBLY
			plgjr	D. WAUGHEN	1998-12-16		10 X 30 = 300 POSITIONS
			cltr	D. HARPER	1998-12-16		Sheet 2 of 5
			apdd	D. HARPER	1998-12-16		84500
sheet index	revision						size
							A4
							CUSTOMER Drawing

form: ADMIXLc

1 |

2 |

3 |

4



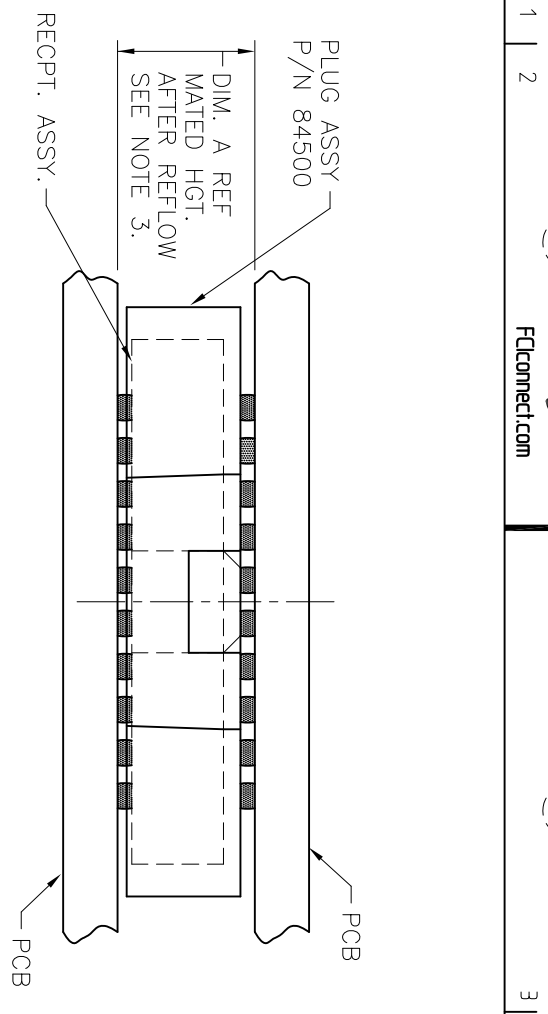
Copyright FCJ



FCJconnect.com



PRODUCT NUMBER
SEE TABLE



MATED HEIGHT TABLE		
DIM. A	RECP. ASSY. P/N	PLATING
4.0	84501	SEE NOTE 4.
5.5	84502	*
8.0	84553	SEE NOTE 5.

* 84502 NOT AVAILABLE IN TELCORDIA/NORTEL VERSION.

MATED HEIGHT AFTER REFLOW IS BASED ON ϕ .64mm PAD (METAL-DEFINED) AND .13mm SOLDER PASTE STENCIL THICKNESS. SEE NOTE 3.

END VIEW - MATED CONNECTORS SCALE: NONE

mat'l. code	surface	tolerance	projection	product family
SEE NOTE 1	ASME Y14.5	ASME Y14.5		MEG-ARRAY
litr	ecm no	dfr	date	title
				10 X 30 = 300 POSITION
R	angles	h	MM	Omni PLUG ASSEMBLY
		XXX.X	Scale: 2:1	84500
	dr	D. WAUGHEN		Sheet 3 of 5
	plng	D. HARPER		A4
	cltr	D. HARPER		CUSTOMER Drawing
	apdd	D. HARPER		
sheet	revision			
index	sheet			

form: AdminXlc 1 2 3 4



Copyright FD




FCIconnect.com



4

PRODUCT NUMBER	PICK-UP CAP (NATURAL OR BLACK IN COLOR)	CONTACT PLATING AND THICKNESS	SOLDER BALL	NOTES
84500-002	YES	15µ" (.38µm) Au	SnPb	
84500-002LF	YES	15µ" (.38µm) Au	LEAD FREE	7 & 8
84500-092	YES	15µ" (.38µm) GXT	SnPb	
84500-092LF	YES	15µ" (.38µm) GXT	LEAD FREE	7 & 8
84500-093	WITH VENT HOLES	15µ" (.38µm) GXT	SnPb	7 , 8
84500-093LF	WITH VENT HOLES	15µ" (.38µm) GXT	LEAD FREE	7 , 8
84500-102	YES	30µ" (.76µm) Au	SnPb	
84500-102LF	YES	30µ" (.76µm) Au	LEAD FREE	7 & 8
84500-192	YES	30µ" (.76µm) GXT	SnPb	
84500-192LF	YES	30µ" (.76µm) GXT	LEAD FREE	7 & 8
84500-202	YES	50µ" (1.27µm) Au SPECIAL	SnPb	4, & 5
84500-202LF	YES	50µ" (1.27µm) Au SPECIAL	LEAD FREE	4, 5, 7 & 8
84500-292	YES	50µ" (1.27µm) GXT SPECIAL	SnPb	4, & 5
84500-292LF	YES	50µ" (1.27µm) GXT SPECIAL	LEAD FREE	4, 5, 7, & 8
84500-A02	YES	30µ" (.76µm)	SnPb	9
84500-A02LF	YES	30µ" (.76µm)	LEAD FREE	7, 8 & 9

mat'l. code	code	SNPb	surface	tolerance	projection	product family
SEE NOTE 1	1	1	ASPC Y14.5	ASPC Y14.5	ASPC Y14.5	MEG-ARRAY
litr	ecm no	dfr	date	ASPC Y14.5	ASPC Y14.5	
R			angles	XXX.13	XXX.13	
			o' ±2"	XXX.051	XXX.051	
			dfr	T. BREWBAKER	2011-06-06	
			pngr	T. BREWBAKER	2011-06-06	
			cltr	T. BREWBAKER	2011-06-06	
			apdd	D. HORCHLER	2011-06-06	
sheet	revision					
index	sheet					


10 X 30 = 300 POSITIONS
 Omni PLUG ASSEMBLY
 Dwg no 84500
 Sheet 4 of 5
 Size A4
 CUSTOMER Drawing

form: Arrm1x1c 1 2 3 4



FCIconnect.com

PRODUCT NUMBER
SEE TABLE

1 | 2

3 |

4

NOTES:

- 1. MATERIAL:
HOUSING: LCP
CONTACT: COPPER ALLOY
- PLATING:
CONTACT: (SEE TABLE)
SOLDER BALL: (SEE TABLE)
EUTECTIC SnPb OR LEAD FREE
95.5Sn/4Ag/0.5Cu
- 2. SOLDER BALLS WILL NOT BE PERFECT SPHERICAL SHAPE DUE TO REFLOW ATTACHMENT.
- 3. MATED HEIGHT EFFECTED BY CUSTOMER'S PCB PAD SIZE, PLATING, SOLDER REFLOW PROFILE, & SOLDER PASTE.
- 4. PLATING FOR INDICATED -2XX SERIES PRODUCT NUMBERS MEET THE REQUIREMENTS OF (GR-1217-CORE, CENTRAL OFFICE ENVIRONMENT, 25 YEAR LIFE EXPECTANCY).
- 5. PLATING FOR INDICATED -2XX SERIES PART NOS. IS AU OVER Ni WITH SPECIAL CONTACT GEOMETRY TO MEET REQUIREMENTS OF TELCORDIA GR-1217-CORE: CENTRAL OFFICE ENVIRONMENT.
- 6. KNT LINE: SLIGHT VISIBLE MARKS (USUALLY A LINE) INDICATING THE DIRECTION AND MEETING POINT OF PLASTIC RESIN FLOW FRONTS TRAVELING AROUND ANY OBSTRUCTIONS TO THE RESIN FLOW VIA THE REQUIRED MOLD TOOLING.

- 7. FOR PROPER APPLICATION FOLLOW FCI APPLICATION SPECIFICATION GS-20-033 LEAD FREE SOLDER BALLS WILL NOT SOLDER PROPERLY IN A LEADED SOLDER PROCESS DUE TO A HIGHER REFLOW TEMPERATURE. LEAD FREE PRODUCT IS THEREFORE NOT BACKWARDS COMPATIBLE WITH LEADED OR SOME SOLDERING APPLICATIONS. REFERENCE FCI APPLICATION SPECIFICATION.
- 8. THIS PRODUCT MEETS EUROPEAN UNION DIRECTIVES AND OTHER COUNTRY REGULATIONS AS DESCRIBED IN GS-47-0004 PRODUCT MEETING THIS DIRECTIVE IS IDENTIFIED IN THE LOT CODE NUMBER MARKED ON EACH PART BY HAVING AN "X" IN THE SEVENTH CHARACTER POSITION.
- 9. 84500-A02 AND -A02LF ARE CUSTOMER SPECIALS.
- 10. CURRENT COMPANY LOGO TO BE VISIBLE IN APPROXIMATE AREA SHOWN.

11. A  SYMBOL WILL BE NEXT TO ANY DIMENSION, NEW VIEW OR NOTE WHICH HAS BEEN MODIFIED WITH THE CURRENT DRAWING REVISION

mat'l code	SEE NOTE 1	surface	tolerance	projection	product family
lfr	eqn no	date	ASME Y14.5	ASME Y14.5	MEG-ARRAY
R		angles	3x3	MM	title
		0' ±2"	XXX.13	Scale: 2:1	Omn PLUG ASSEMBLY
			XXXX.051		10 X 30 = 300 POSITIONS
		dr	T. BREWBAKER		dwg no
		plgqr	T. BREWBAKER		84500
		cltr	T. BREWBAKER		sheet 5 of 5
		apdd	D. HORCHLER		size
sheet	revision				A4
index	sheet				CUSTOMER Drawing

form: AdminXic

1 |

2 |

3 |

4

B

A

B

A