

RJ45 PoE & PoE+ 10/100 Base-TX Jack with Magnetic Module



16.26 x 13.84 x 21.59 mm

RoHS
Compliant

ARJP11A

FEATURES:

- PoE & PoE+
- Available with or without LED
- Suitable CAT 5 & 6 cable and UTP
- Comply IEEE 802.3ab
- LAN Magnetic with RJ45
- Suitable for RoHS compliant reflow

APPLICATIONS:

- 10/100 base-TX LAN
- NIC, LoM and PC

STANDARD SPECIFICATIONS at 25°C

Operating temperature range: 0°C to +70°C Storage temperature range: -40°C to +85°C

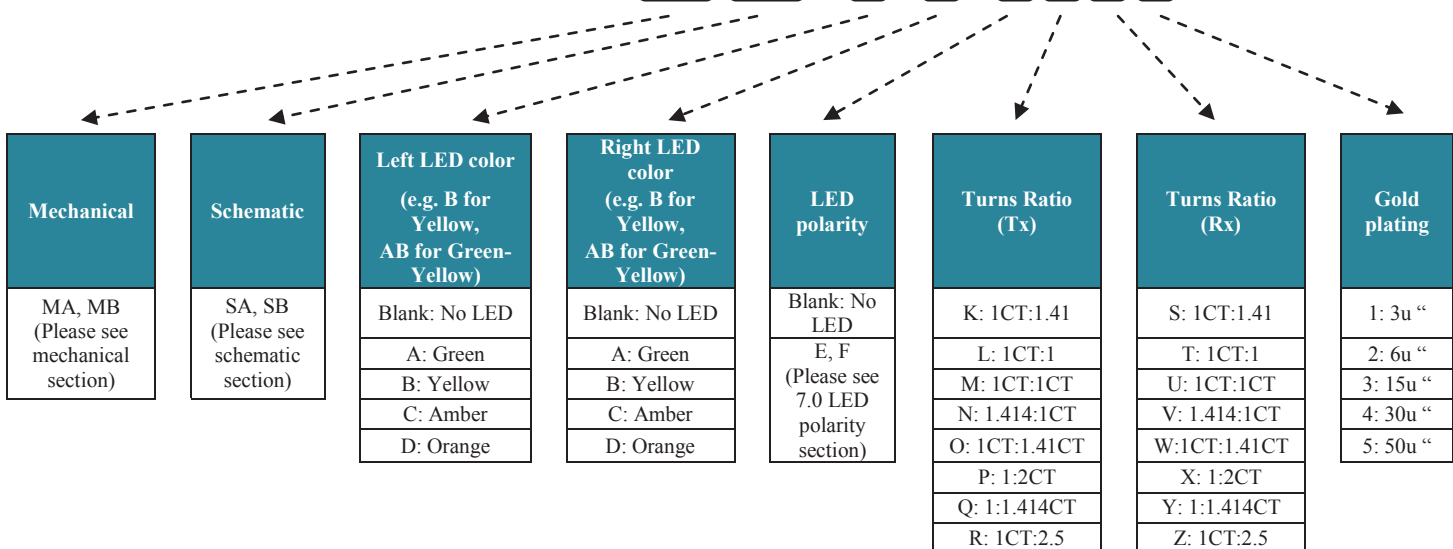
| Part Number | Turns Ratio $\pm 3\%$ | | EMI Fingers | LEDs L/R | Insertion Loss (dB max) 0.3- 100 MHz | Return Loss (dB MIN @100Ω) | | | |
|-----------------------|-----------------------|---------|-------------|-------------|---|----------------------------|--------|--------|-------------|
| | TX | RX | | | | 0.5- 30 MHz | 40 MHz | 50 MHz | 60 - 80 MHz |
| ARJP11A-MASA-B-A-EMU2 | 1CT:1CT | 1CT:1CT | YES | Y/G | -1.1 | -18 | -15.5 | -13.6 | -12 |
| ARJP11A-MASA-B-A-FMU2 | 1CT:1CT | 1CT:1CT | YES | Y/G | -1.1 | -18 | -15.5 | -13.6 | -12 |
| ARJP11A-MBSB-A-B-EMU2 | 1CT:1CT | 1CT:1CT | YES | G/Y | -1.1 | -18 | -15.5 | -13.6 | -12 |
| ARJP11A-MBSB-A-B-FMU2 | 1CT:1CT | 1CT:1CT | YES | G/Y | -1.1 | -18 | -15.5 | -13.6 | -12 |

| Part Number | Crosstalk (dB TYP) 0.3 - 100 MHz | Common Mode Rejection (dB TYP) | | | Hipot (Vrms min) |
|-----------------------|-------------------------------------|--------------------------------|-------------|--------------|------------------|
| | | 0.3 - 30 MHz | 30 - 60 MHz | 60 - 100 MHz | |
| ARJP11A-MASA-B-A-EMU2 | -38 | -50 | -40 | -30 | 1500 |
| ARJP11A-MASA-B-A-FMU2 | -38 | -50 | -40 | -30 | 1500 |
| ARJP11A-MBSB-A-B-EMU2 | -38 | -50 | -40 | -30 | 1500 |
| ARJP11A-MBSB-A-B-FMU2 | -38 | -50 | -40 | -30 | 1500 |

Contact Abracon for more custom configurations. See options to build a custom configuration.

OPTIONS AND PART IDENTIFICATION

ARJP11A - - - -



RJ45 PoE & PoE+ 10/100 Base-TX Jack with Magnetic Module

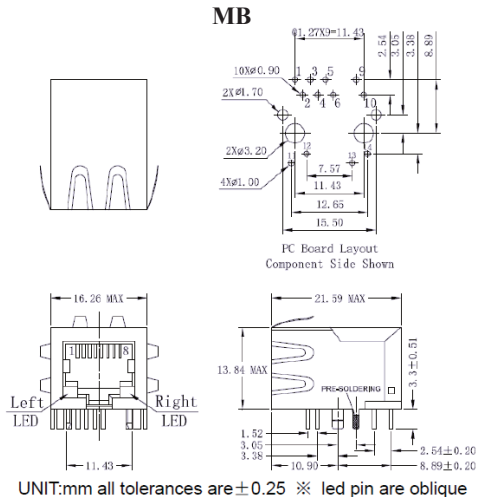
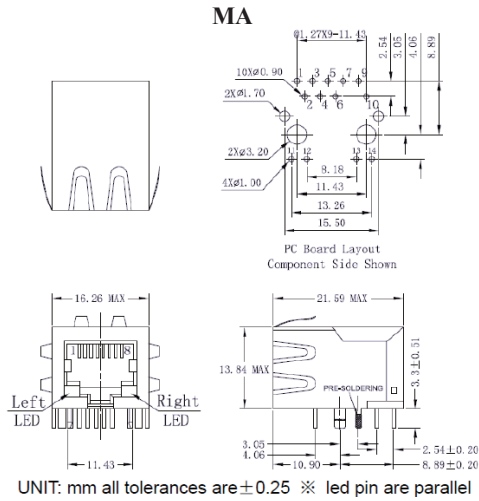
ARJP11A

RoHS
Compliant

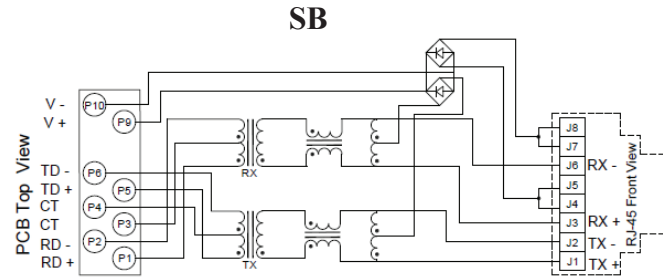
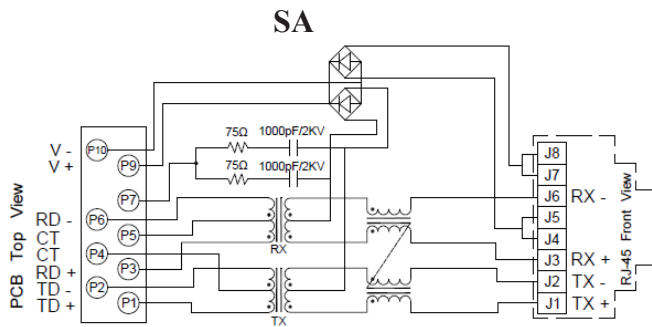


16.26 x 13.84 x 21.59 mm

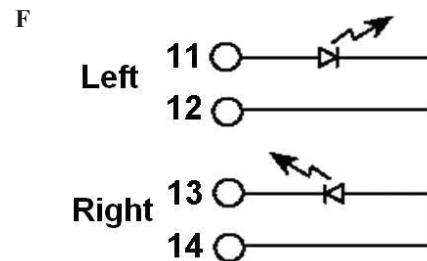
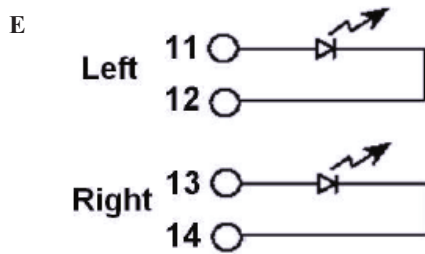
MECHANICAL DIMENSIONS



SCHEMATICS



LED POLARITY



RJ45 PoE & PoE+ 10/100 Base-TX Jack with Magnetic Module

ARJP11A

RoHS
Compliant

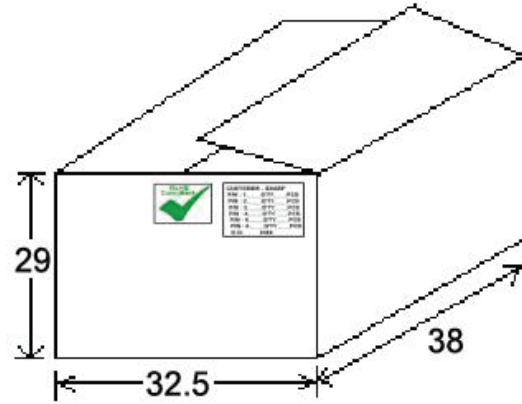
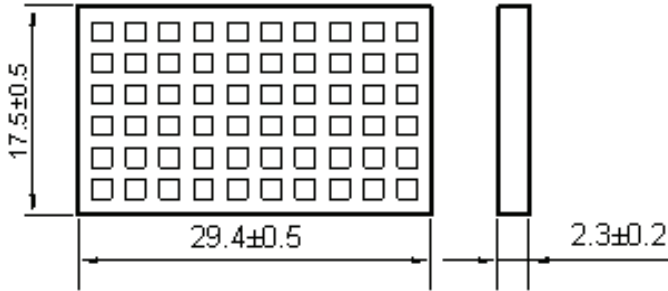


16.26 x 13.84 x 21.59 mm

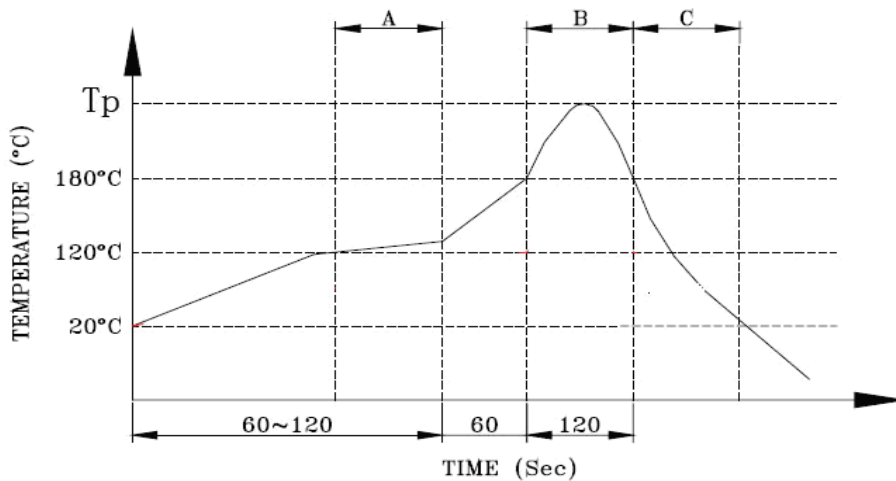
PACKING: 60pcs/tray

Packaging material: PET

Outer carton unit : 1320 pcs/ 22 Trays/box



REFLOW PROFILE:



Peak temperature(T_p) : $250 \pm 10^\circ\text{C}$
Peak temperature(T_p) time : 5sec max

A. Preheating B. Soldering C. Gradual Cooling

ATTENTION: Abracon Corporation's products are COTS – Commercial-Off-The-Shelf products; suitable for Commercial, Industrial and, where designated, Automotive Applications. Abracon's products are not specifically designed for Military, Aviation, Aerospace, Life-dependant Medical applications or any application requiring high reliability where component failure could result in loss of life and/or property. For applications requiring high reliability and/or presenting an extreme operating environment, written consent and authorization from Abracon Corporation is required. Please contact Abracon Corporation for more information.

ABRACON IS
ISO 9001:2008
CERTIFIED



Visit www.abracon.com for Terms & Conditions of Sale
30332 Esperanza, Rancho Santa Margarita, California 92688
tel 949-546-8000 | fax 949-546-8001 | www.abracon.com

Revised: 05.25.11