

**RAFIX 22 FS<sup>+</sup> - Contact block PCB gold, E-Stop „Plus 1“****1.20.126.414/0000**

\* **Caution:** The signal contact is only possible when combined with E-stop actuators RAFIX 22 FS<sup>+</sup> "Plus 1". The signal contact is a NO contact and can only be used for impulse signals, not for lasting contacts.

**General information**

Lamp optional	-
---------------	---

**Mechanical design**

Mounting	soldering in PCB
Contact system	bridge-contact self cleaning
Contact materials	Au
Contact arrangement	2 NC + 1 signal contact
NC contact forcibly actuated acc. to IEC 60947-5-1	yes
Terminals	THT solder terminals with locating lug

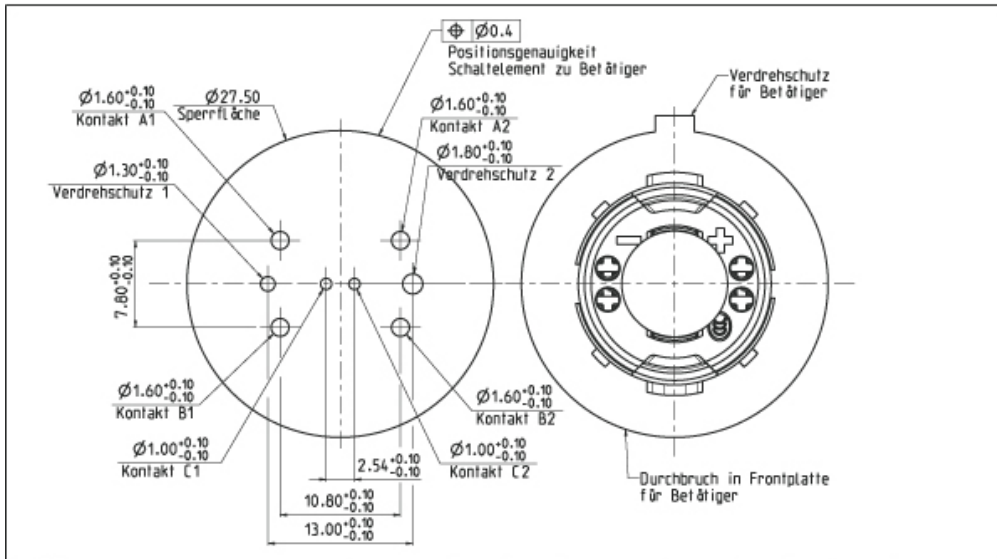
**Electrical characteristics**

Operating voltage AC / DC min.	5 V
Operating voltage AC / DC max.	35 V
Operating current AC / DC min.	1 mA
Operating current AC / DC max.	100 mA
Rated power max.	250 mW

**Other specifications**

Operating life at 10 mA / 24 V DC	50,000
B10	65,000
Switching reliability at 24V / 5mA DC	10 x 10 <sup>-6</sup>
Ambient temp. operating min.	-40 °C
Ambient temp. operating max.	+85 °C
Storage temperature min.	-40 °C
Storage temperature max.	+85
Color of plunger	red
Robustness	acc. to IEC 60947-5-5 (TÜV)
Shock resistance acc. to IEC 60068-2-27	15 g at 11 ms, amplitude half sinusoidal
Resistance to vibrations acc. to IEC 60068-2-6	5 g at 10 ... 500 Hz
Environmental resistance	acc. to IEC 60068-2-14, -30, -33 and -78
Solderability / solder heat resistance	DIN EN 60068-2-20
Solder techniques	wave solder bath / manual soldering
Color of housing	grey
ROHS compliant	yes
REACH compliant	yes

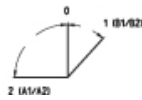
Bestückungsseite Leiterplatte-tht



Variante	1S	10	2S	20	10 + 1S	Plus 1
Kontakt A1/A2 Anschlussbezeichnung 1x	1S 13 - 14	-	1S 13 - 14	10 11-12	1S 13 - 14	10 11-12
Kontakt B1/B2 Anschlussbezeichnung 2x	-	10 21-22	1S 23-24	10 21-22	10 21-22	10 21-22
Kontakt C1/C2 Anschlussbezeichnung	LED* X1-X2	LED* X1-X2	LED* X1-X2	LED* X1-X2	LED* X1-X2	1S 33-34
*Nur bei Bedarf						

Die Schaltung der Kontakte erfolgt nach folgendem Schema:

Betätiger mit 3 Schaltstellungen



Betätiger mit 2 Schaltstellungen

